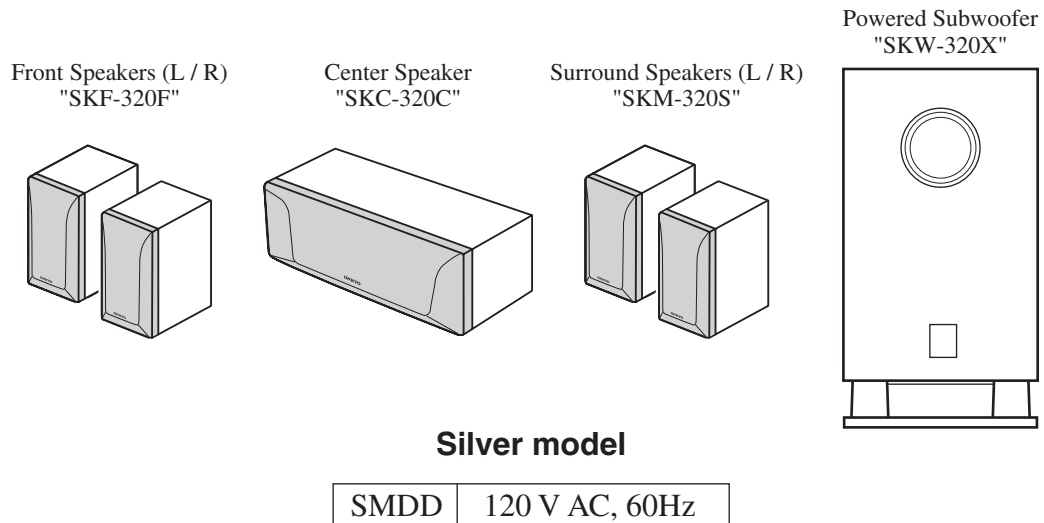



ONKYO SERVICE MANUAL

5.1-CH HOME THEATER SPEAKER PACKAGE MODEL HTP-320(S)



SAFETY-RELATED COMPONENT WARNING!!

COMPONENTS IDENTIFIED BY MARK  ON THE SCHEMATIC DIAGRAM AND IN THE PARTS LIST ARE CRITICAL FOR RISK OF FIRE AND ELECTRIC SHOCK. REPLACE THESE COMPONENTS WITH ONKYO PARTS WHOSE PART NUMBERS APPEAR AS SHOWN IN THIS MANUAL.

MAKE LEAKAGE-CURRENT OR RESISTANCE MEASUREMENTS TO DETERMINE THAT EXPOSED PARTS ARE ACCEPTABLY INSULATED FROM THE SUPPLY CIRCUIT BEFORE RETURNING THE APPLIANCE TO THE CUSTOMER.

SPECIFICATIONS

■ Powered Subwoofer (SKW-320X)

Type :	Powered Bass-reflex
Input sensitivity / impedance :	220 mV / 15 k ohm
Maximum output power :	100 W (Dynamic Power)
Frequency response :	35 Hz - 150 Hz
Cabinet capacity :	0.91 cubic feet (26 Litter)
Dimensions (W x H x D) :	9-1/16 x 17-13/16 x 15-7/8 inch (230 x 436 x 404 mm)
Weight :	24.7 lbs. (11.2 kg)
Speaker unit :	8 inch Cone
Power supply :	AC 120 V, 60 Hz
Power consumption :	75 W
Other :	Auto-Standby function

■ Center Speaker (SKC-320C)

Type :	2 Way Bass-reflex
Impedance :	8 ohm
Maximum input power :	100 W
Output sound pressure level :	78 dB/W/m
Frequency response :	70 Hz - 50 kHz
Crossover frequency :	4.5 kHz
Cabinet capacity :	0.057 cubic feet (1.6 Litter)
Dimensions (W x H x D) :	10-3/8 x 4 x 4-15/16 inch (264 x 101 x 126 mm)
Weight :	4.4 lbs. (2.0 kg)
Speaker unit :	
Woofer	3-1/8 inch Cone x 2
Tweeter	1 inch Balanced Dome
Terminal :	Spring type Color coded
Other :	Magnetic shielding

■ Front Speaker (SKF-320F)

Type :	2 Way Bass-reflex
Impedance :	8 ohm
Maximum input power :	100 W
Output sound pressure level :	76 dB/W/m
Frequency response :	70 Hz - 50 kHz
Crossover frequency :	4.5 kHz
Cabinet capacity :	0.035 cubic feet (1.0 Litter)
Dimensions (W x H x D) :	4 x 6-5/8 x 4-15/16 inch (101 x 169 x 126 mm)
Weight :	2.6 lbs. (1.2 kg)
Speaker unit :	
Woofer :	3-1/8 inch Cone
Tweeter :	1 inch Balanced Dome
Terminal :	Spring type Color coded
Other :	Magnetic shielding

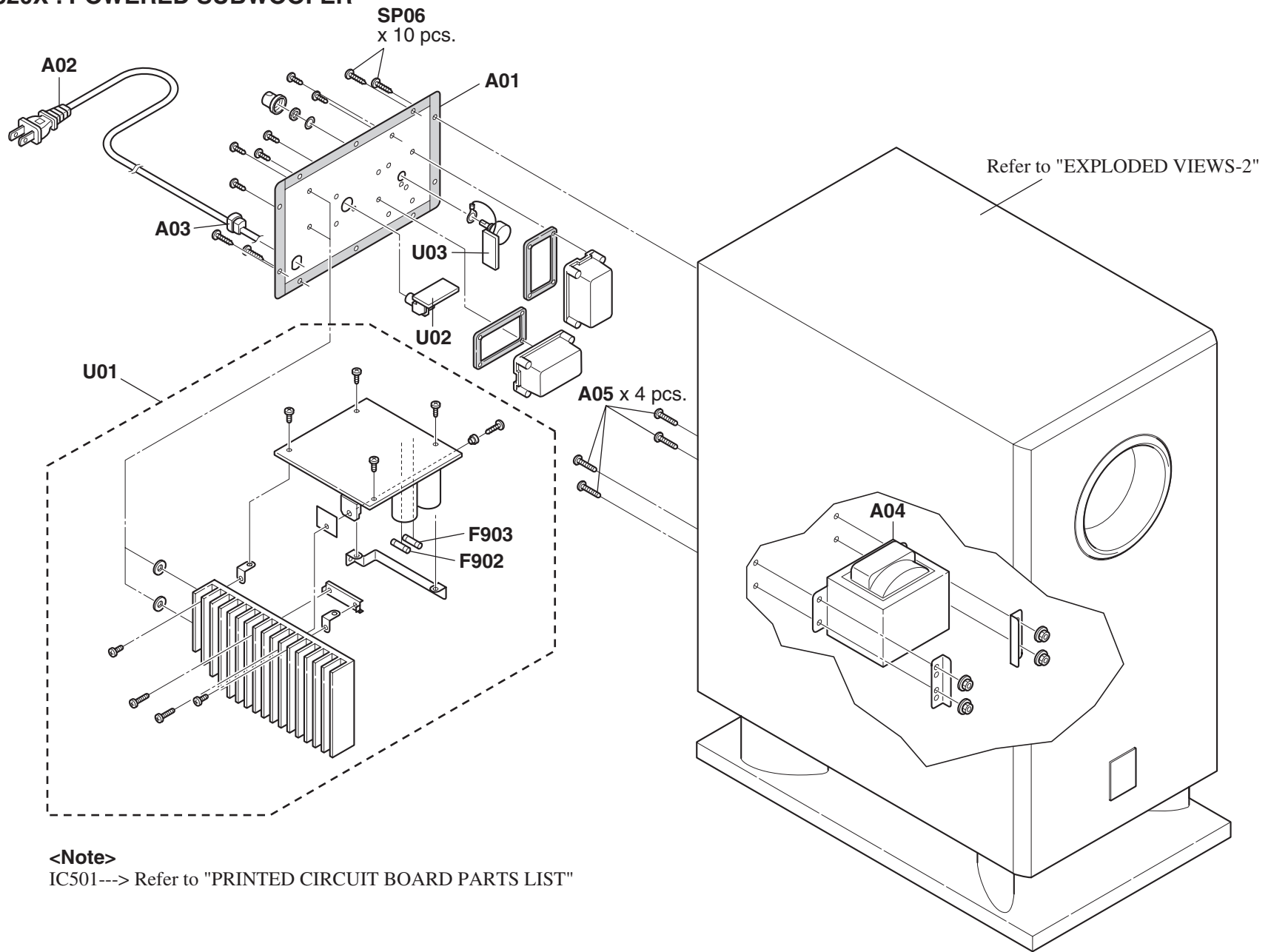
■ Surround Speaker (SKM-320S)

Type :	2 Way Bass-reflex
Impedance :	8 ohm
Maximum input power :	100 W
Output sound pressure level :	79 dB/W/m
Frequency response :	70 Hz - 30 kHz
Crossover frequency :	10 kHz
Cabinet capacity :	0.035 cubic feet (1.0 Litter)
Dimensions (W x H x D) :	4 x 6-5/8 x 4-15/16 inch (101 x 169 x 126 mm)
Weight :	1.8 lbs. (0.8 kg)
Speaker unit :	
Woofer :	3-1/8 inch Cone Woofer
Tweeter :	3/4 inch Ceramic Tweeter
Terminal :	Spring type Color coded

Specifications and appearance are subject to change without prior notice.

EXPLODED VIEWS-1

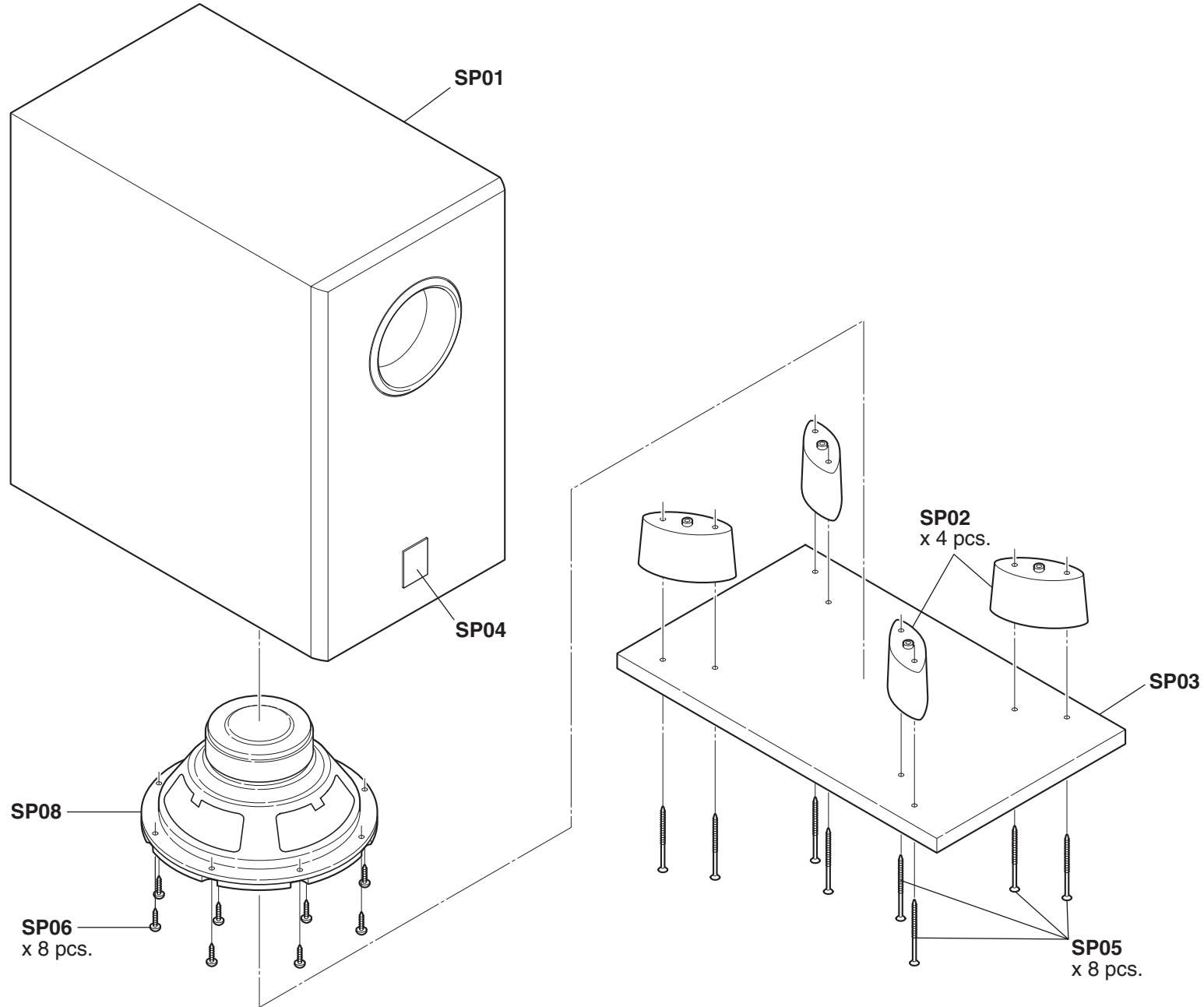
SKW-320X : POWERED SUBWOOFER



<Note>

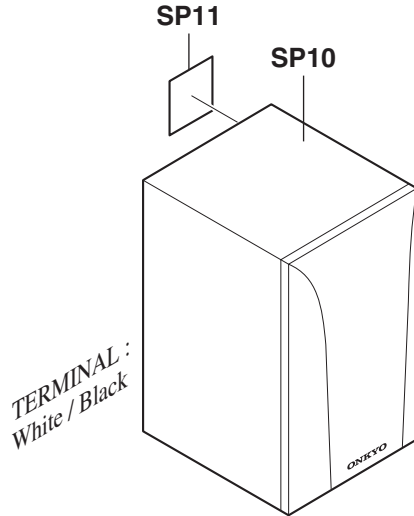
IC501----> Refer to "PRINTED CIRCUIT BOARD PARTS LIST"

EXPLODED VIEWS-2
SKW-320X : POWERED SUBWOOFER



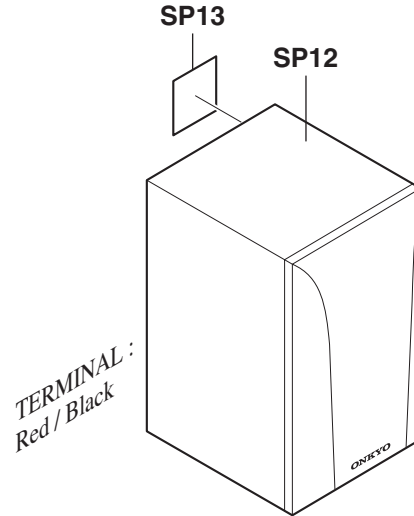
EXPLODED VIEWS-3

SKF-320F / SKC-320C / SKM-320S



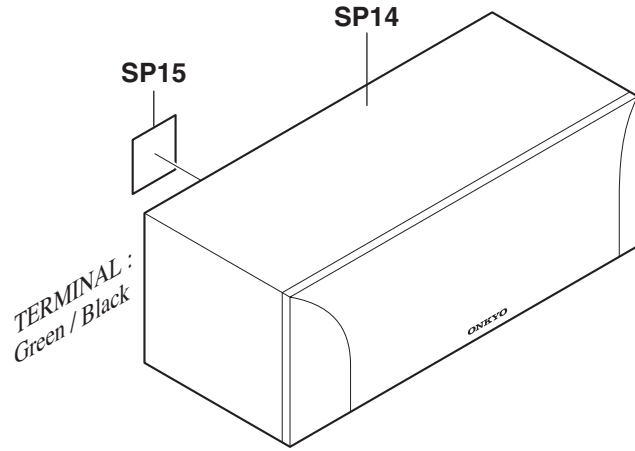
TERMINAL :
White / Black

"SKF-320F (L)"



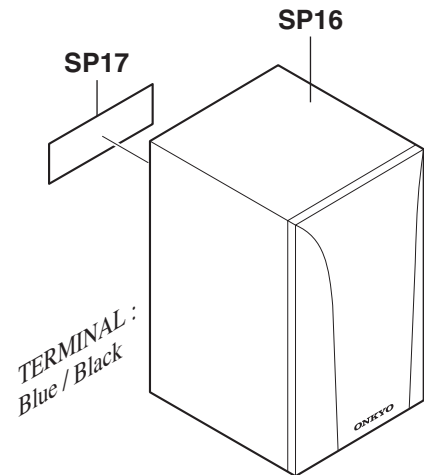
TERMINAL :
Red / Black

"SKF-320F (R)"



TERMINAL :
Green / Black

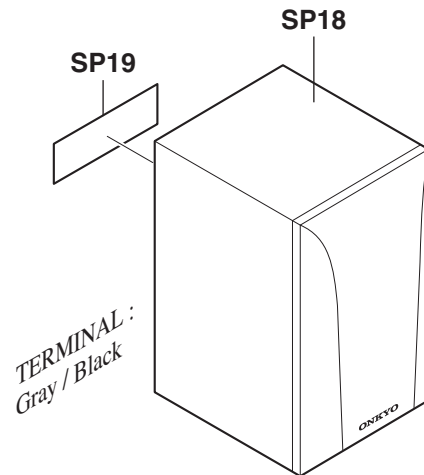
"SKC-320C"



TERMINAL :
Blue / Black

"SKM-320S (L)"

NOT MAGNETICALLY SHIELDED

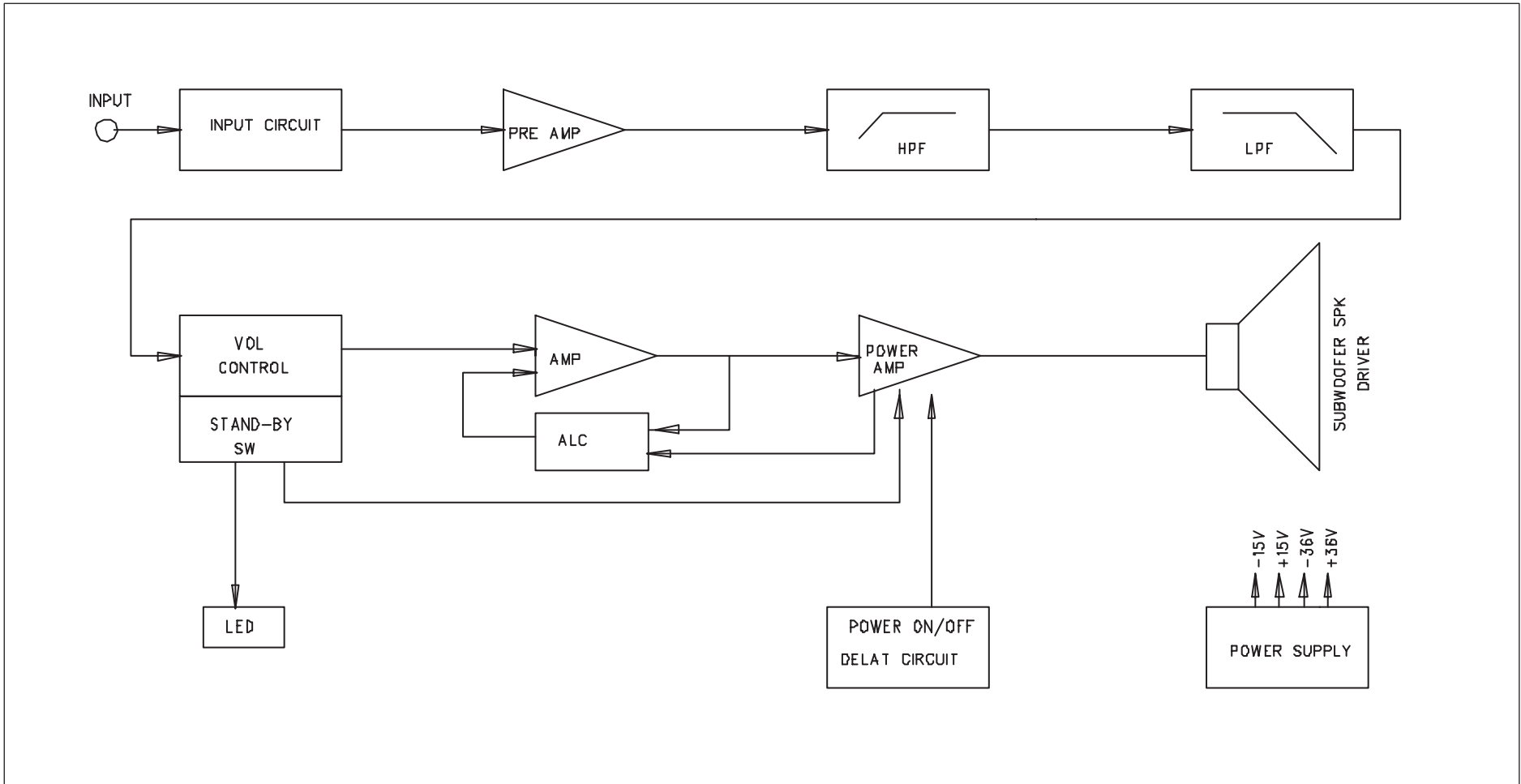


TERMINAL :
Gray / Black

"SKM-320S (R)"

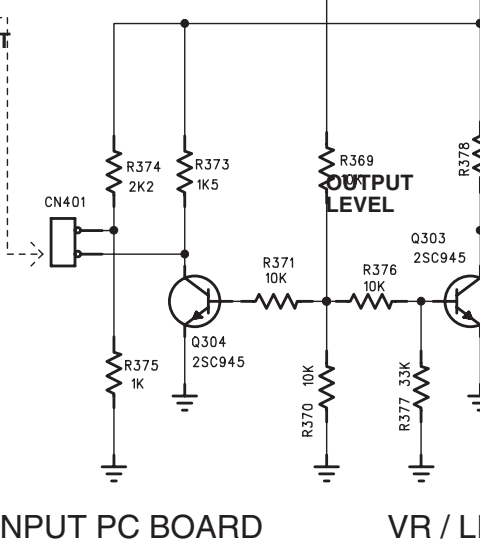
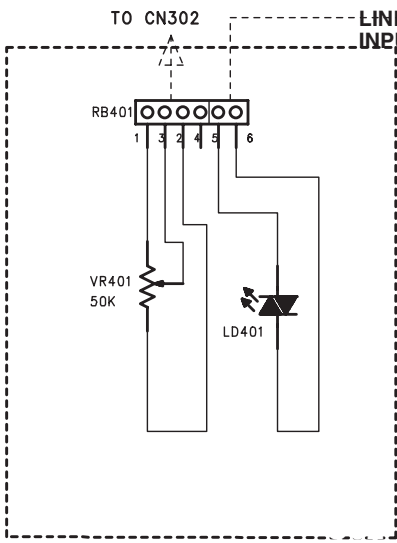
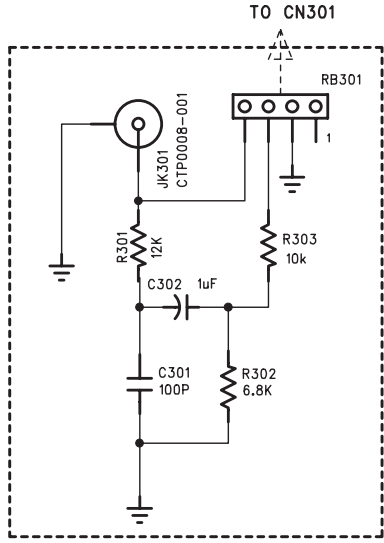
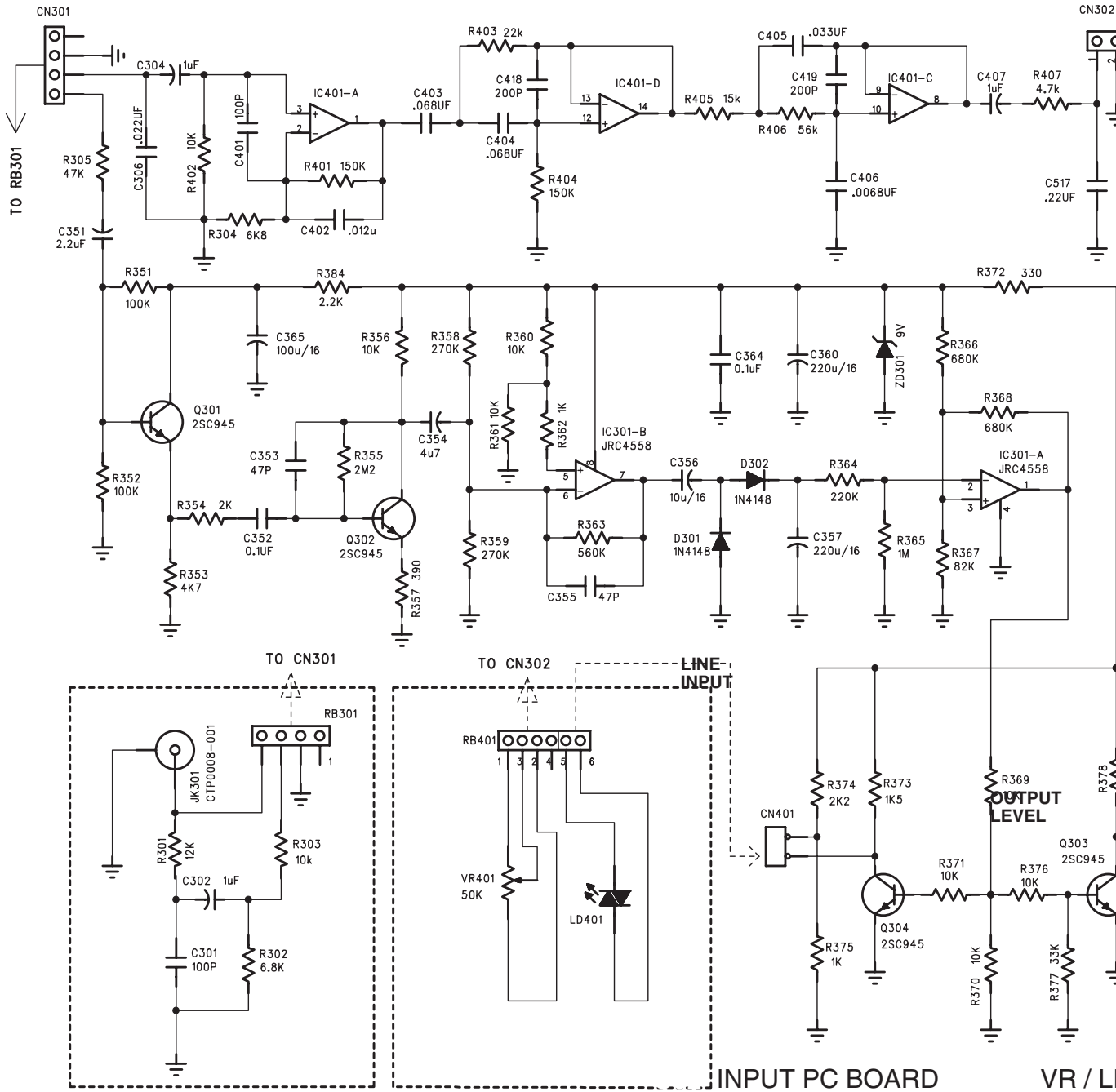
NOT MAGNETICALLY SHIELDED

BLOCK DIAGRAM
SKW-320 : POWERED SUBWOOFER



SCHEMATIC DIAGRAM

SKW-320: POWERED SUBWOOFER



INPUT PC BOARD

VR / L

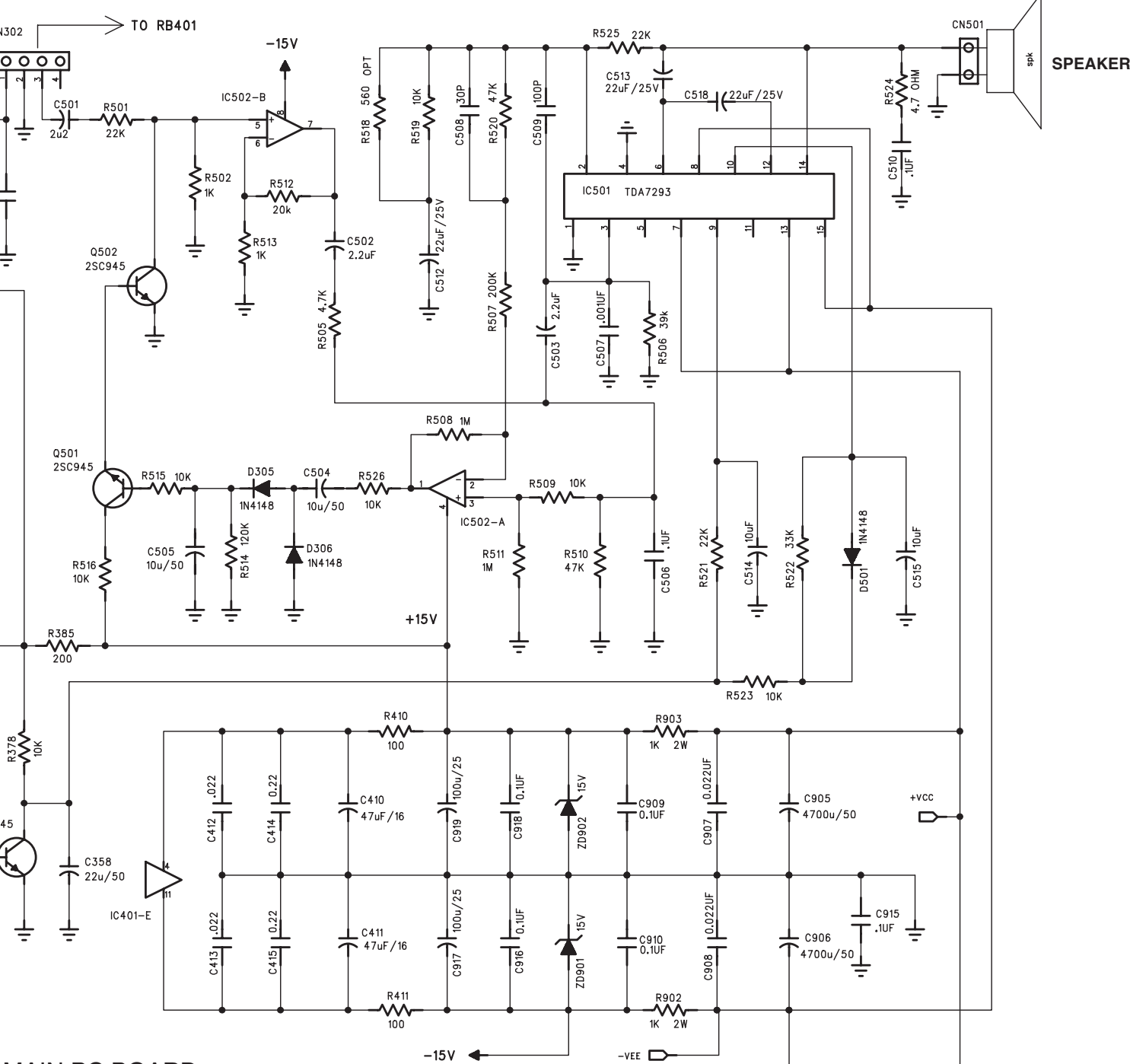
E

F

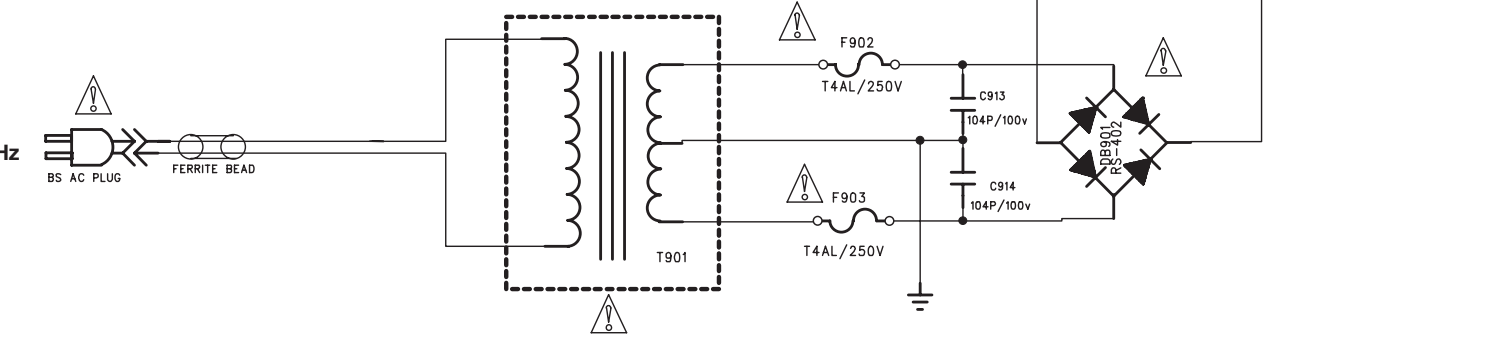
G

H

TO RB401



MAIN PC BOARD



SCHEMATIC DIAGRAM SKW-320: POWERED SUBWOOFER

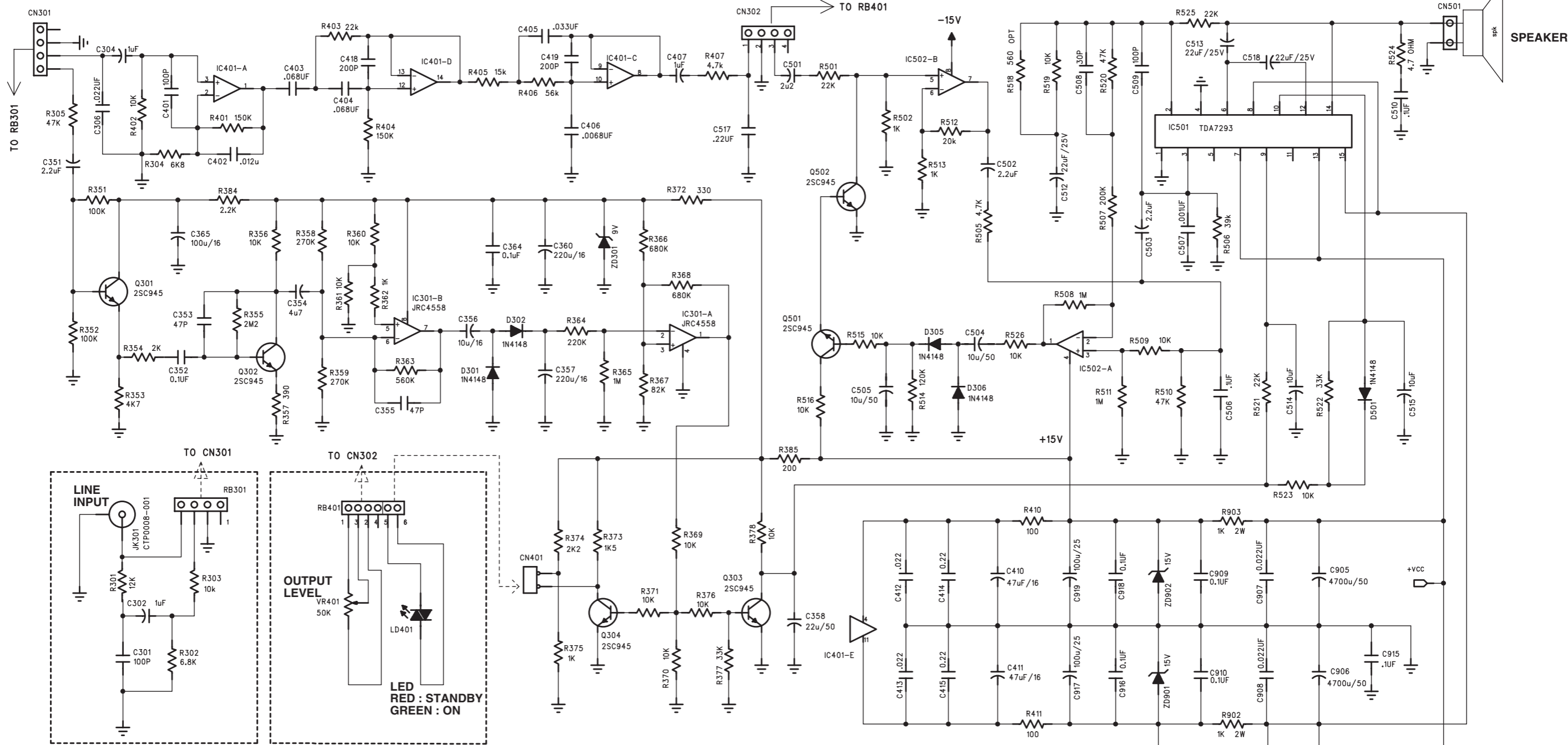
1

2

3

4

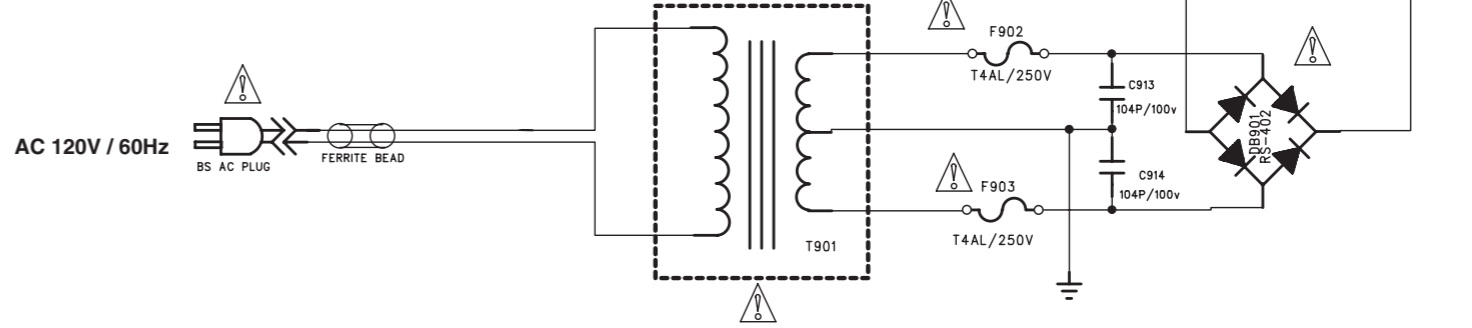
5



U02 INPUT PC BOARD

U03 VR / LED PC BOARD

U01 MAIN PC BOARD

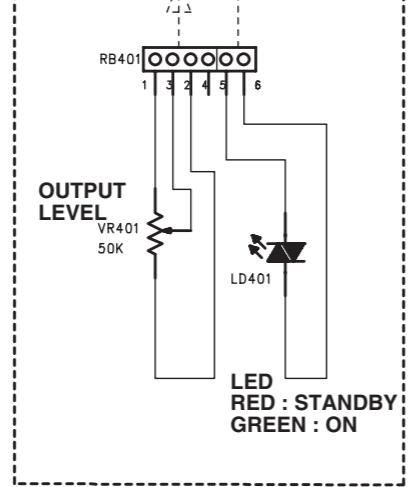
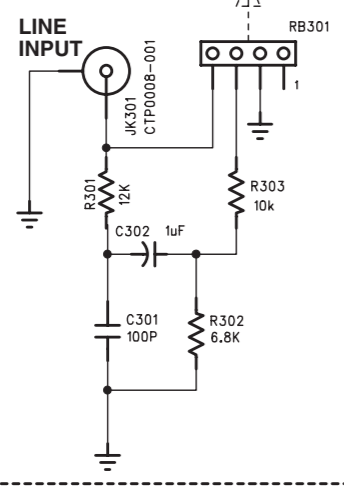


TO RB301

TO RB401

TO CN301

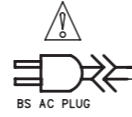
TO CN302



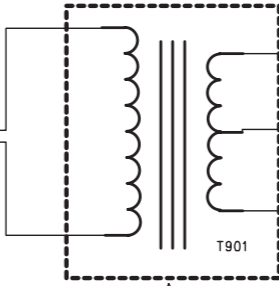
LED
RED : STANDBY
GREEN : ON

SPEAKER

AC 120V / 60Hz



FERRITE BEAD



F902

T4AL/250V

C913

104P/100v

BR901

C914

104P/100v

F903

T4AL/250V

C908

10.022UF

C909

0.1UF

C910

0.1UF

C906

4700u/50

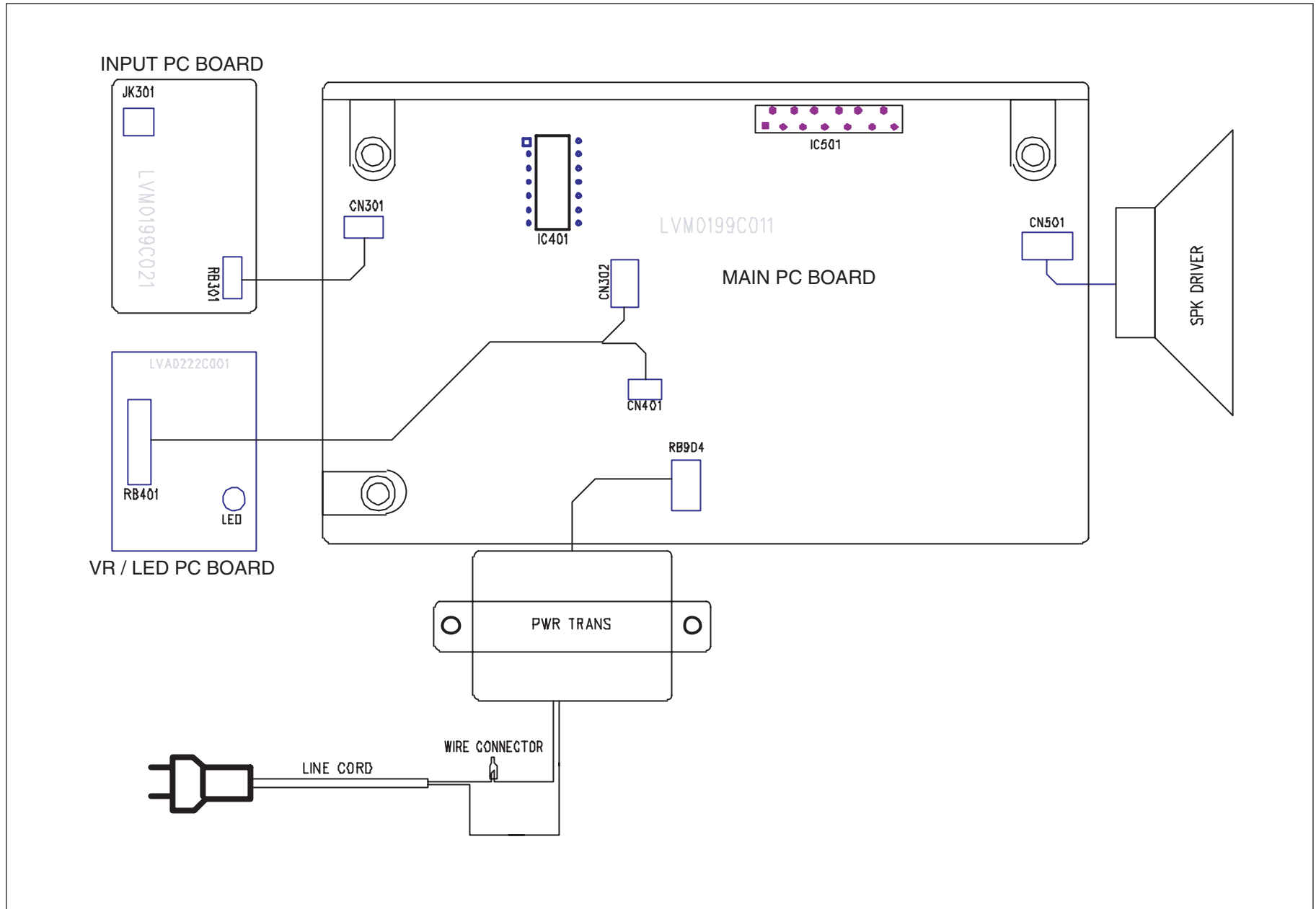
+VCC

-15V

-VEE

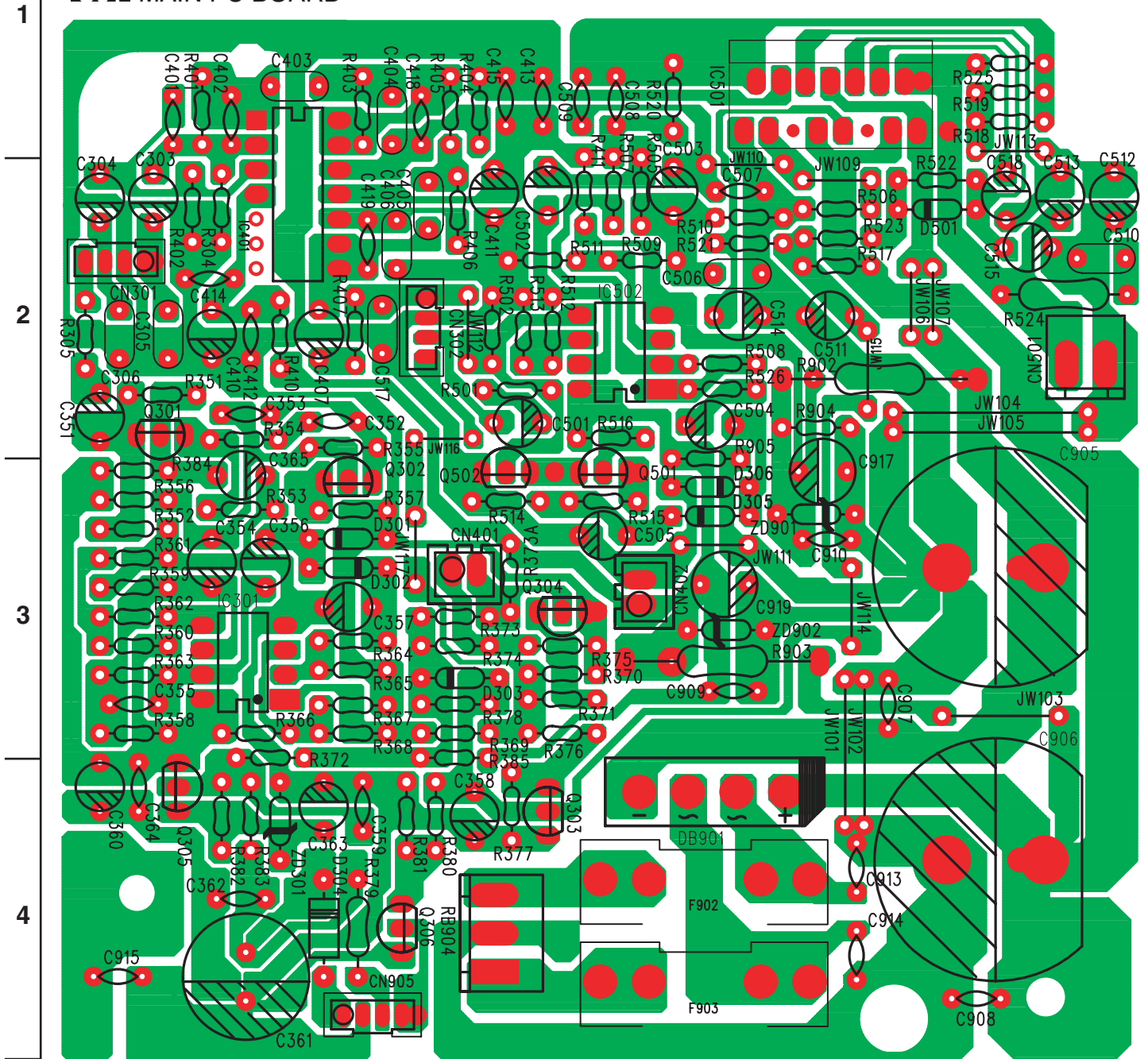
PC BOARD CONNECTION DIAGRAM

SKW-320 : POWERED SUBWOOFER

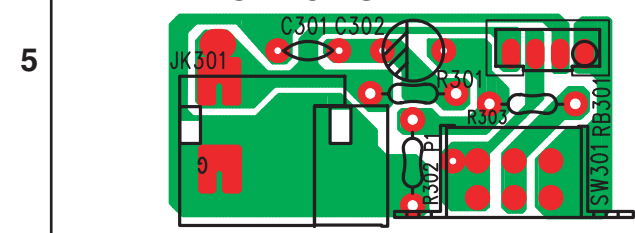


PRINTED CIRCUIT BOARD VIEW SKW-320POWERED SUBWOOFER

U01 MAIN PC BOARD



U02 INPUT PC BOARD



U03 VR / LED PC BOARD

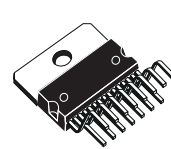
No PC board view
Look over the actual PC board on hand

5

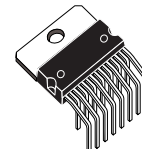
120V - 100W DMOS AUDIO AMPLIFIER WITH MUTE/ST-BY

- VERY HIGH OPERATING VOLTAGE RANGE ($\pm 50V$)
- DMOS POWER STAGE
- HIGH OUTPUT POWER (100W @ THD = 10%, $R_L = 8\Omega$, $V_s = \pm 40V$)
- MUTING/STAND-BY FUNCTIONS
- NO SWITCH ON/OFF NOISE
- VERY LOW DISTORTION
- VERY LOW NOISE
- SHORT CIRCUIT PROTECTED (WITH NO INPUT SIGNAL APPLIED)
- THERMAL SHUTDOWN
- CLIP DETECTOR
- MODULARITY (MORE DEVICES CAN BE EASILY CONNECTED IN PARALLEL TO DRIVE VERY LOW IMPEDANCES)

MULTIPOWER BCD TECHNOLOGY



Multiwatt15V



Multiwatt15H

ORDERING NUMBERS:

TDA7293V

TDA7293HS

class TV). Thanks to the wide voltage range and to the high out current capability it is able to supply the highest power into both 4 Ω and 8 Ω loads.

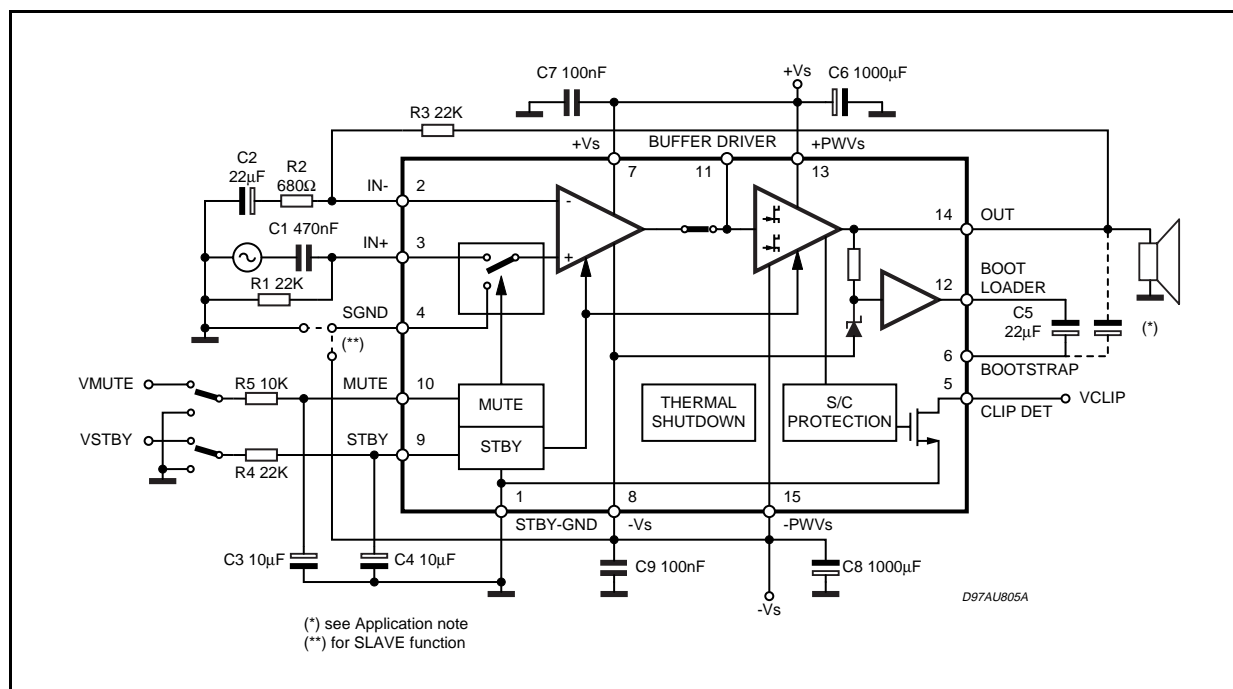
The built in muting function with turn on delay simplifies the remote operation avoiding switching on-off noises.

Parallel mode is made possible by connecting more device through of pin11. High output power can be delivered to very low impedance loads, so optimizing the thermal dissipation of the system.

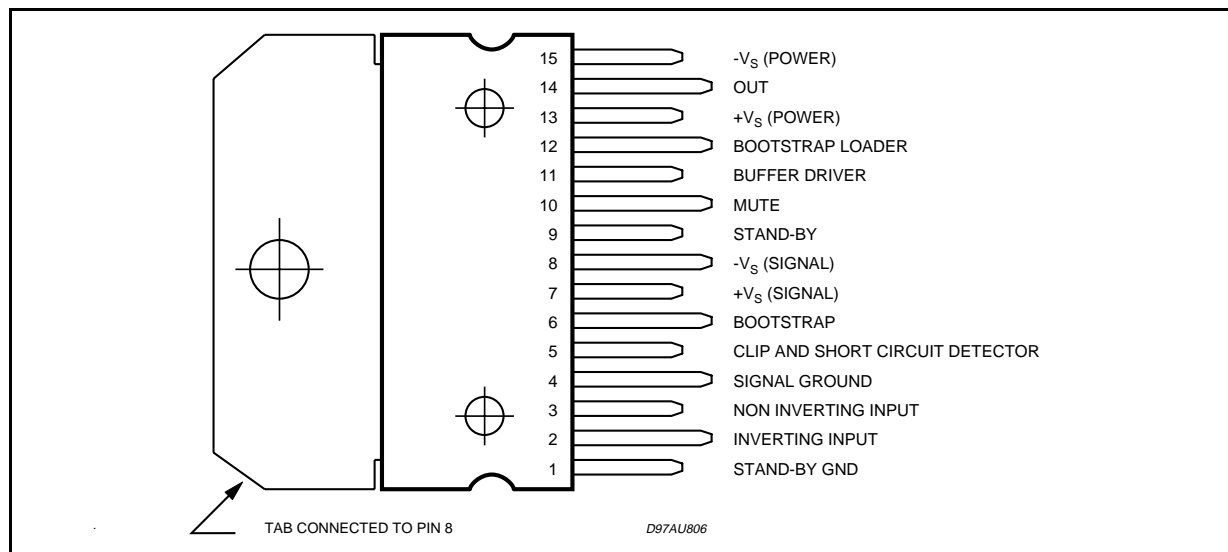
DESCRIPTION

The TDA7293 is a monolithic integrated circuit in Multiwatt15 package, intended for use as audio class AB amplifier in Hi-Fi field applications (Home Stereo, self powered loudspeakers, Top-

Figure 1: Typical Application and Test Circuit



PIN CONNECTION (Top view)



ABSOLUTE MAXIMUM RATINGS

Symbol	Parameter	Value	Unit
V_S	Supply Voltage (No Signal)	± 60	V
V_1	$V_{STAND-BY}$ GND Voltage Referred to $-V_S$ (pin 8)	90	V
V_2	Input Voltage (inverting) Referred to $-V_S$	90	V
$V_2 - V_3$	Maximum Differential Inputs	± 30	V
V_3	Input Voltage (non inverting) Referred to $-V_S$	90	V
V_4	Signal GND Voltage Referred to $-V_S$	90	V
V_5	Clip Detector Voltage Referred to $-V_S$	120	V
V_6	Bootstrap Voltage Referred to $-V_S$	120	V
V_9	Stand-by Voltage Referred to $-V_S$	120	V
V_{10}	Mute Voltage Referred to $-V_S$	120	V
V_{11}	Buffer Voltage Referred to $-V_S$	120	V
V_{12}	Bootstrap Loader Voltage Referred to $-V_S$	100	V
I_O	Output Peak Current	10	A
P_{tot}	Power Dissipation $T_{case} = 70^\circ C$	50	W
T_{op}	Operating Ambient Temperature Range	0 to 70	$^\circ C$
T_{stg}, T_j	Storage and Junction Temperature	150	$^\circ C$

THERMAL DATA

Symbol	Description	Typ	Max	Unit
$R_{th\ j-case}$	Thermal Resistance Junction-case	1	1.5	$^\circ C/W$

ELECTRICAL CHARACTERISTICS (Refer to the Test Circuit $V_S = \pm 40V$, $R_L = 8\Omega$, $R_G = 50\Omega$; $T_{amb} = 25^\circ C$, $f = 1\text{ kHz}$; unless otherwise specified).

Symbol	Parameter	Test Condition	Min.	Typ.	Max.	Unit
V_S	Supply Range		± 12		± 50	V
I_q	Quiescent Current			50	100	mA
I_b	Input Bias Current			0.3	1	μA
V_{OS}	Input Offset Voltage		-10		10	mV
I_{OS}	Input Offset Current				0.2	μA
P_O	RMS Continuous Output Power	d = 1%: $R_L = 4\Omega$; $V_S = \pm 29V$,	75	80 80		W
		d = 10% $R_L = 4\Omega$; $V_S = \pm 29V$	90	100 100		W
d	Total Harmonic Distortion (**)	$P_O = 5W$; $f = 1\text{ kHz}$ $P_O = 0.1\text{ to }50W$; $f = 20\text{ Hz to }15\text{ kHz}$		0.005	0.1	% %
I_{SC}	Current Limiter Threshold	$V_S \leq \pm 40V$		6.5		A
SR	Slew Rate		5	10		V/ μs
G_V	Open Loop Voltage Gain			80		dB
G_V	Closed Loop Voltage Gain (1)		29	30	31	dB
e_N	Total Input Noise	A = curve $f = 20\text{ Hz to }20\text{ kHz}$		1		μV
				3	10	μV
R_i	Input Resistance		100			k Ω
SVR	Supply Voltage Rejection	$f = 100\text{ Hz}$; $V_{ripple} = 0.5V_{rms}$		75		dB
T_S	Thermal Protection	DEVICE MUTED		150		$^\circ C$
		DEVICE SHUT DOWN		160		$^\circ C$
STAND-BY FUNCTION (Ref: to pin 1)						
$V_{ST\ on}$	Stand-by on Threshold				1.5	V
$V_{ST\ off}$	Stand-by off Threshold		3.5			V
ATT_{st-by}	Stand-by Attenuation		70	90		dB
$I_{q\ st-by}$	Quiescent Current @ Stand-by			0.5	1	mA
MUTE FUNCTION (Ref: to pin 1)						
V_{Mon}	Mute on Threshold				1.5	V
V_{Moff}	Mute off Threshold		3.5			V
ATT_{mute}	Mute Attenuation		60	80		dB
CLIP DETECTOR						
Duty	Duty Cycle (pin 5)	THD = 1% ; $R_L = 10K\Omega\text{ to }5V$		10		%
		THD = 10% ; $R_L = 10K\Omega\text{ to }5V$	30	40	50	%
I_{CLEAK}		$P_O = 50W$			3	μA
SLAVE FUNCTION pin 4 (Ref: to pin 8 -Vs)						
V_{Slave}	SlaveThreshold				1	V
V_{Master}	Master Threshold		3			V

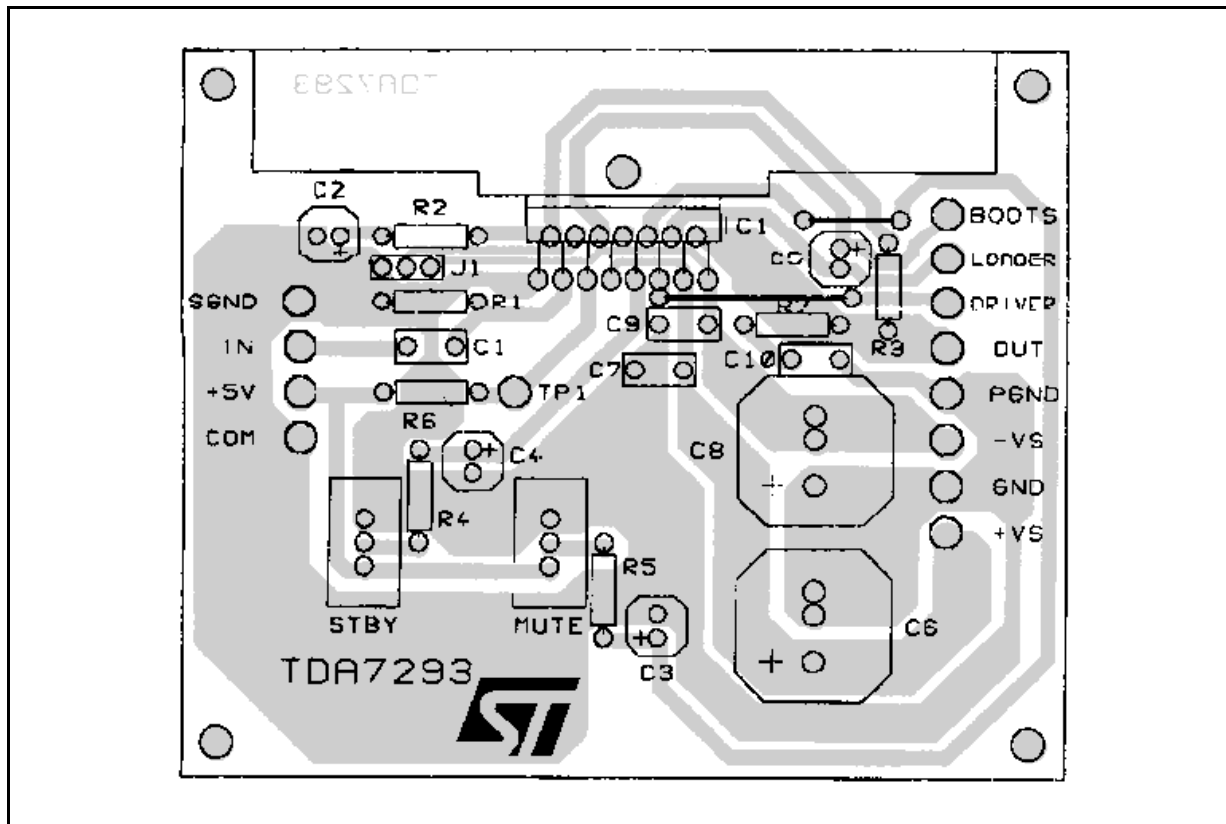
Note (1): $G_{Vmin} \geq 26\text{ dB}$

Note: Pin 11 only for modular connection. Max external load 1M Ω /10 pF, only for test purpose

Note ():** Tested with optimized Application Board (see fig. 2)

TDA7293

Figure 2: Typical Application P.C. Board and Component Layout (scale 1:1)



APPLICATION SUGGESTIONS (see Test and Application Circuits of the Fig. 1)

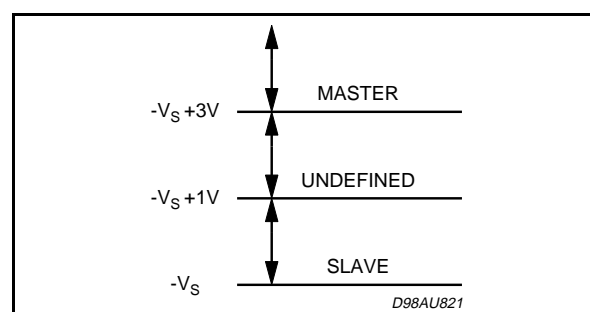
The recommended values of the external components are those shown on the application circuit of Figure 1. Different values can be used; the following table can help the designer.

COMPONENTS	SUGGESTED VALUE	PURPOSE	LARGER THAN SUGGESTED	SMALLER THAN SUGGESTED
R1 (*)	22k	INPUT RESISTANCE	INCREASE INPUT IMPEDANCE	DECREASE INPUT IMPEDANCE
R2	680 Ω	CLOSED LOOP GAIN SET TO 30dB (**)	DECREASE OF GAIN	INCREASE OF GAIN
R3 (*)	22k		INCREASE OF GAIN	DECREASE OF GAIN
R4	22k	ST-BY TIME CONSTANT	LARGER ST-BY ON/OFF TIME	SMALLER ST-BY ON/OFF TIME; POP NOISE
R5	10k	MUTE TIME CONSTANT	LARGER MUTE ON/OFF TIME	SMALLER MUTE ON/OFF TIME
C1	0.47 μ F	INPUT DC DECOUPLING		HIGHER LOW FREQUENCY CUTOFF
C2	22 μ F	FEEDBACK DC DECOUPLING		HIGHER LOW FREQUENCY CUTOFF
C3	10 μ F	MUTE TIME CONSTANT	LARGER MUTE ON/OFF TIME	SMALLER MUTE ON/OFF TIME
C4	10 μ F	ST-BY TIME CONSTANT	LARGER ST-BY ON/OFF TIME	SMALLER ST-BY ON/OFF TIME; POP NOISE
C5	22 μ FXN (***)	BOOTSTRAPPING		SIGNAL DEGRADATION AT LOW FREQUENCY
C6, C8	1000 μ F	SUPPLY VOLTAGE BYPASS		
C7, C9	0.1 μ F	SUPPLY VOLTAGE BYPASS		DANGER OF OSCILLATION

(*) R1 = R3 for pop optimization

(**) Closed Loop Gain has to be ≥ 26 dB

(***) Multiplay this value for the number of modular part connected

Slave function: pin 4 (Ref to pin 8 -V_S)**Note:**

If in the application, the speakers are connected via long wires, it is a good rule to add between the output and GND, a Boucherot Cell, in order to avoid dangerous spurious oscillations when the speakers terminal are shorted.

The suggested Boucherot Resistor is 3.9 Ω /2W and the capacitor is 1 μ F.

INTRODUCTION

In consumer electronics, an increasing demand has arisen for very high power monolithic audio amplifiers able to match, with a low cost, the performance obtained from the best discrete designs.

The task of realizing this linear integrated circuit in conventional bipolar technology is made extremely difficult by the occurrence of 2nd breakdown phenomenon. It limits the safe operating area (SOA) of the power devices, and, as a consequence, the maximum attainable output power, especially in presence of highly reactive loads.

Moreover, full exploitation of the SOA translates into a substantial increase in circuit and layout complexity due to the need of sophisticated protection circuits.

To overcome these substantial drawbacks, the use of power MOS devices, which are immune from secondary breakdown is highly desirable.

The device described has therefore been developed in a mixed bipolar-MOS high voltage technology called BCDII 100/120.

1) Output Stage

The main design task in developing a power operational amplifier, independently of the technology used, is that of realization of the output stage.

The solution shown as a principle schematic by Fig3 represents the DMOS unity - gain output buffer of the TDA7293.

This large-signal, high-power buffer must be capable of handling extremely high current and voltage levels while maintaining acceptably low harmonic distortion and good behaviour over

frequency response; moreover, an accurate control of quiescent current is required.

A local linearizing feedback, provided by differential amplifier A, is used to fulfil the above requirements, allowing a simple and effective quiescent current setting.

Proper biasing of the power output transistors alone is however not enough to guarantee the absence of crossover distortion.

While a linearization of the DC transfer characteristic of the stage is obtained, the dynamic behaviour of the system must be taken into account.

A significant aid in keeping the distortion contributed by the final stage as low as possible is provided by the compensation scheme, which exploits the direct connection of the Miller capacitor at the amplifier's output to introduce a local AC feedback path enclosing the output stage itself.

2) Protections

In designing a power IC, particular attention must be reserved to the circuits devoted to protection of the device from short circuit or overload conditions.

Due to the absence of the 2nd breakdown phenomenon, the SOA of the power DMOS transistors is delimited only by a maximum dissipation curve dependent on the duration of the applied stimulus.

In order to fully exploit the capabilities of the power transistors, the protection scheme implemented in this device combines a conventional SOA protection circuit with a novel local temperature sensing technique which "dynamically" controls the maximum dissipation.

Figure 3: Principle Schematic of a DMOS unity-gain buffer.

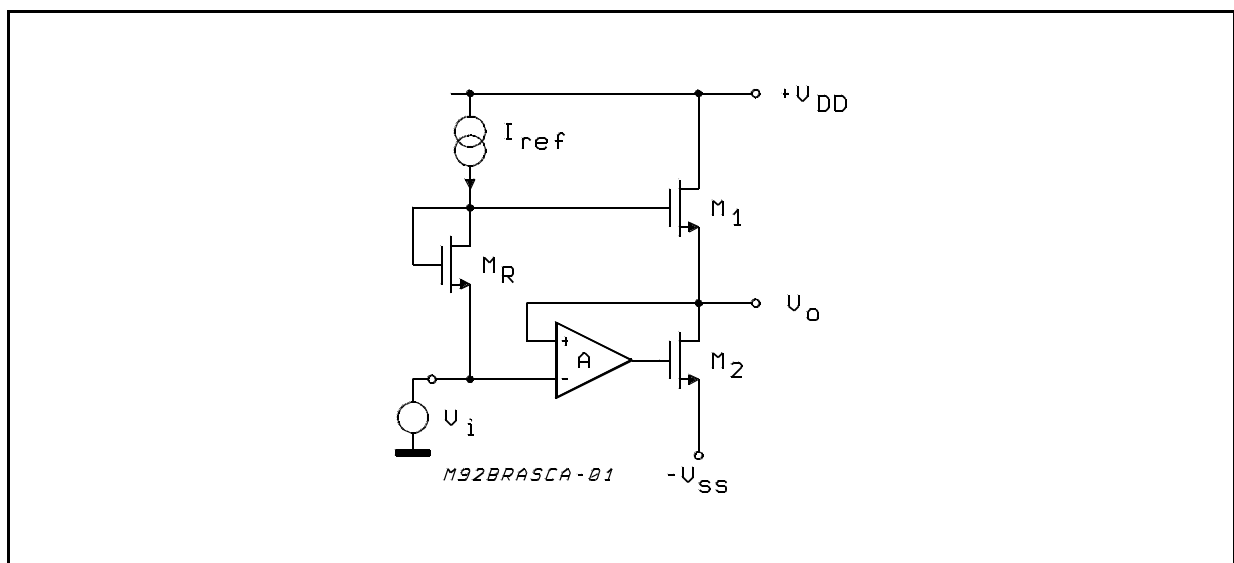
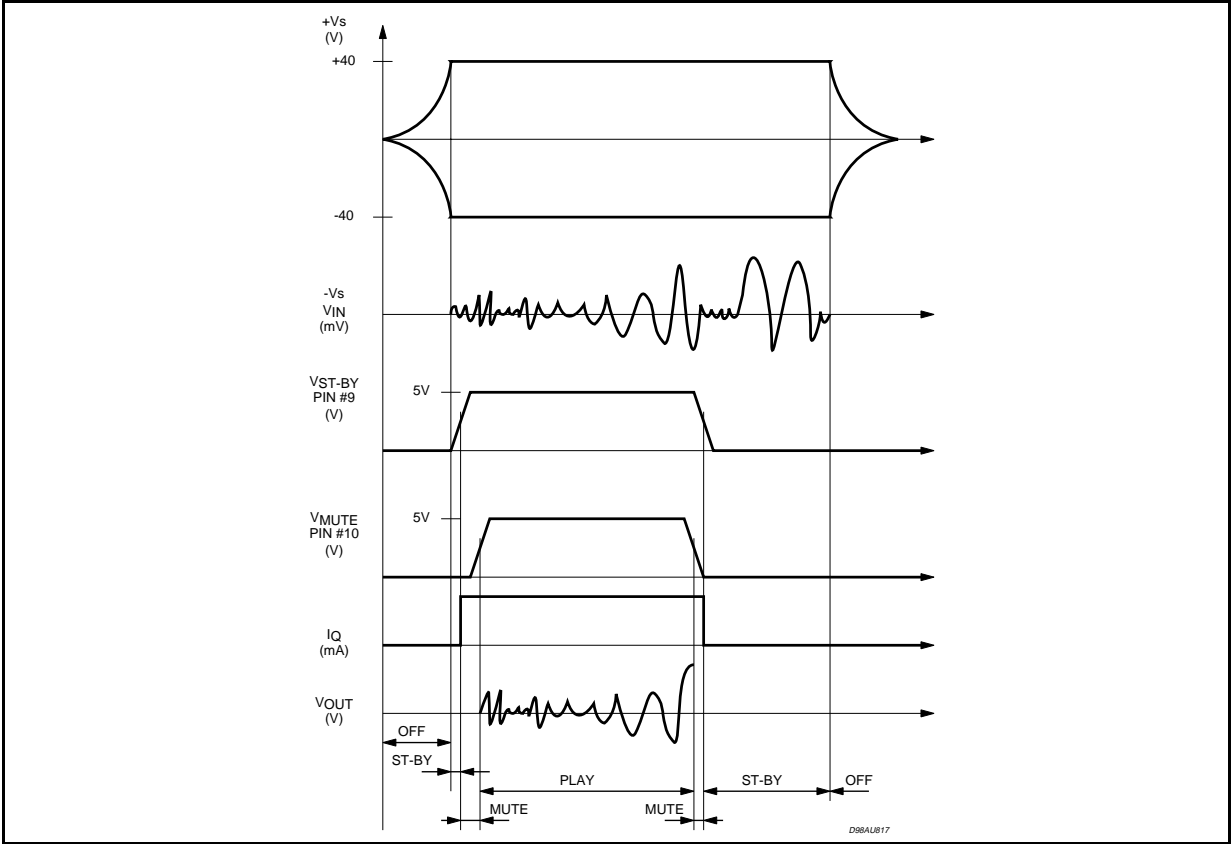


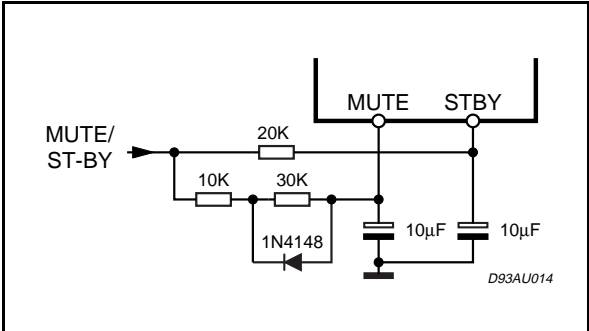
Figure 4: Turn ON/OFF Suggested Sequence



In addition to the overload protection described above, the device features a thermal shutdown circuit which initially puts the device into a muting state (@ $T_j = 150\text{ }^\circ\text{C}$) and then into stand-by (@ $T_j = 160\text{ }^\circ\text{C}$).

Full protection against electrostatic discharges on every pin is included.

Figure 5: Single Signal ST-BY/MUTE Control Circuit



3) Other Features

The device is provided with both stand-by and

mute functions, independently driven by two CMOS logic compatible input pins.

The circuits dedicated to the switching on and off of the amplifier have been carefully optimized to avoid any kind of uncontrolled audible transient at the output.

The sequence that we recommend during the ON/OFF transients is shown by Figure 4.

The application of figure 5 shows the possibility of using only one command for both st-by and mute functions. On both the pins, the maximum applicable range corresponds to the operating supply voltage.

APPLICATION INFORMATION

HIGH-EFFICIENCY

Constraints of implementing high power solutions are the power dissipation and the size of the power supply. These are both due to the low efficiency of conventional AB class amplifier approaches.

Here below (figure 6) is described a circuit proposal for a high efficiency amplifier which can be adopted for both HI-FI and CAR-RADIO applications.



The TDA7293 is a monolithic MOS power amplifier which can be operated at 100V supply voltage (120V with no signal applied) while delivering output currents up to ± 6.5 A.

This allows the use of this device as a very high power amplifier (up to 180W as peak power with T.H.D.=10 % and $R_L = 4$ Ohm); the only drawback is the power dissipation, hardly manageable in the above power range.

The typical junction-to-case thermal resistance of the TDA7293 is 1 °C/W (max= 1.5 °C/W). To avoid that, in worst case conditions, the chip temperature exceeds 150 °C, the thermal resistance of the heatsink must be 0.038 °C/W (@ max ambient temperature of 50 °C).

As the above value is practically unreachable; a high efficiency system is needed in those cases where the continuous RMS output power is higher than 50-60 W.

The TDA7293 was designed to work also in higher efficiency way.

For this reason there are four power supply pins: two intended for the signal part and two for the power part.

T1 and T2 are two power transistors that only operate when the output power reaches a certain threshold (e.g. 20 W). If the output power increases, these transistors are switched on during the portion of the signal where more output voltage swing is needed, thus "bootstrapping" the power supply pins (#13 and #15).

The current generators formed by T4, T7, zener diodes Z1, Z2 and resistors R7,R8 define the minimum drop across the power MOS transistors of the TDA7293. L1, L2, L3 and the snubbers C9, R1 and C10, R2 stabilize the loops formed by the "bootstrap" circuits and the output stage of the TDA7293.

By considering again a maximum average output power (music signal) of 20W, in case of the high efficiency application, the thermal resistance value needed from the heatsink is 2.2 °C/W ($V_s = \pm 50$ V and $R_L = 8$ Ohm).

All components (TDA7293 and power transistors T1 and T2) can be placed on a 1.5 °C/W heatsink, with the power darlington electrically insulated from the heatsink.

Since the total power dissipation is less than that of a usual class AB amplifier, additional cost savings can be obtained while optimizing the power supply, even with a high heatsink .

BRIDGE APPLICATION

Another application suggestion is the BRIDGE configuration, where two TDA7293 are used.

In this application, the value of the load must not be lower than 8 Ohm for dissipation and current capability reasons.

A suitable field of application includes HI-FI/TV subwoofers realizations.

The main advantages offered by this solution are:

- High power performances with limited supply voltage level.
- Considerably high output power even with high load values (i.e. 16 Ohm).

With $R_L = 8$ Ohm, $V_s = \pm 25$ V the maximum output power obtainable is 150 W, while with $R_L = 16$ Ohm, $V_s = \pm 40$ V the maximum Pout is 200 W.

APPLICATION NOTE: (ref. fig. 7)

Modular Application (more Devices in Parallel)

The use of the modular application lets very high power be delivered to very low impedance loads. The modular application implies one device to act as a master and the others as slaves.

The slave power stages are driven by the master device and work in parallel all together, while the input and the gain stages of the slave device are disabled, the figure below shows the connections required to configure two devices to work together.

- The master chip connections are the same as the normal single ones.
- The outputs can be connected together **without the need of any ballast resistance**.
- The slave SGND pin must be tied to the negative supply.
- The slave ST-BY and MUTE pins must be connected to the master ST-BY and MUTE pins.
- The bootstrap lines must be connected together and the bootstrap capacitor must be increased: for N devices the bootstrap capacitor must be $22\mu\text{F}$ times N.
- The slave IN-pin must be connected to the negative supply.

THE BOOTSTRAP CAPACITOR

For compatibility purpose with the previous devices of the family, the bootstrap capacitor can be connected both between the bootstrap pin (6) and the output pin (14) or between the bootstrap pin (6) and the bootstrap loader pin (12).

When the bootcap is connected between pin 6 and 14, the maximum supply voltage in presence of output signal is limited to 100V, due the bootstrap capacitor overvoltage.

When the bootcap is connected between pins 6 and 12 the maximum supply voltage extend to the full voltage that the technology can stand: 120V.

This is accomplished by the clamp introduced at the bootstrap loader pin (12): this pin follows the output voltage up to 100V and remains clamped at 100V for higher output voltages. This feature lets the output voltage swing up to a gate-source voltage from the positive supply ($V_s - 3$ to 6V).

Figure 6: High Efficiency Application Circuit

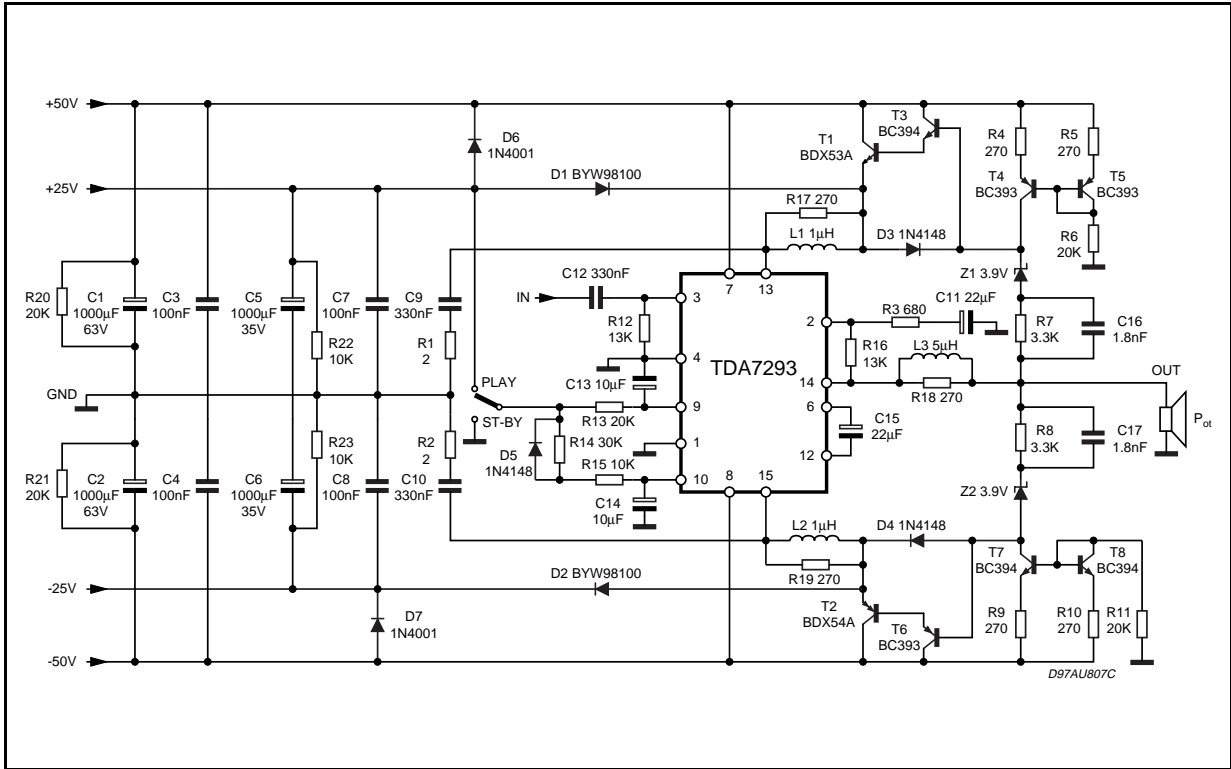


Figure 6a: PCB and Component Layout of the fig. 6

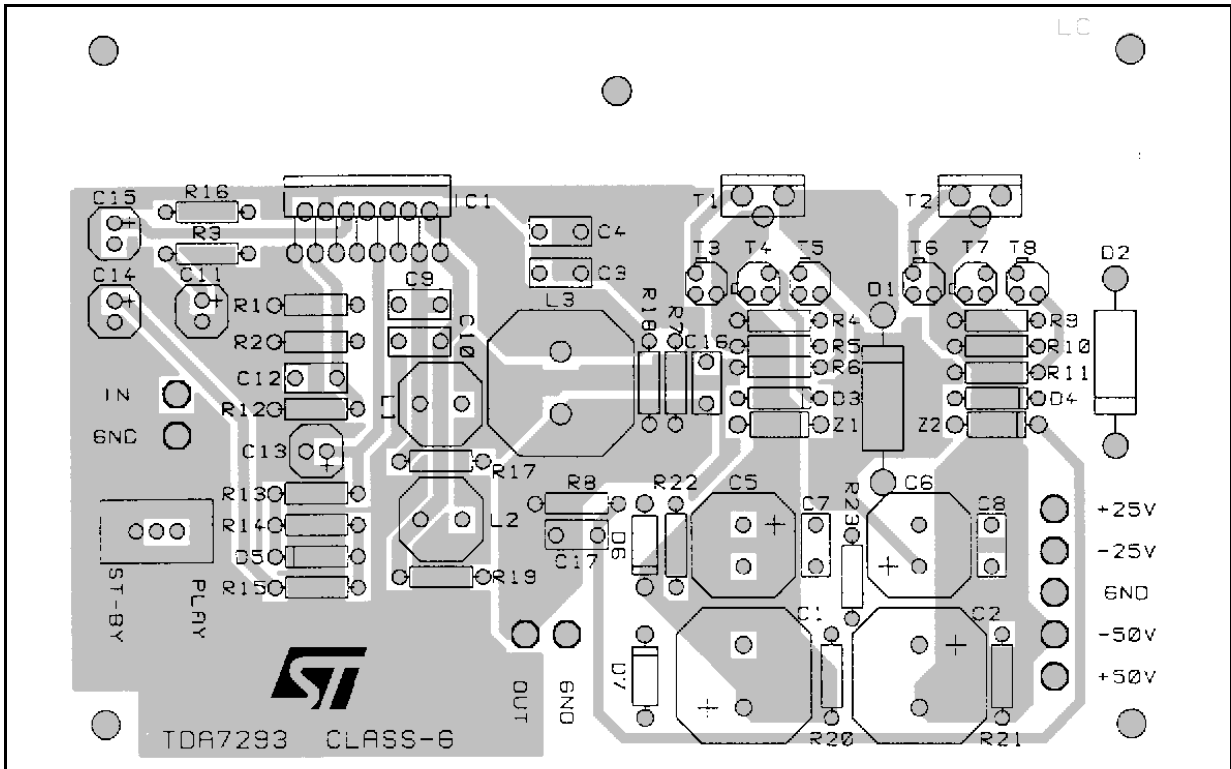


Figure 6b: PCB - Solder Side of the fig. 6.

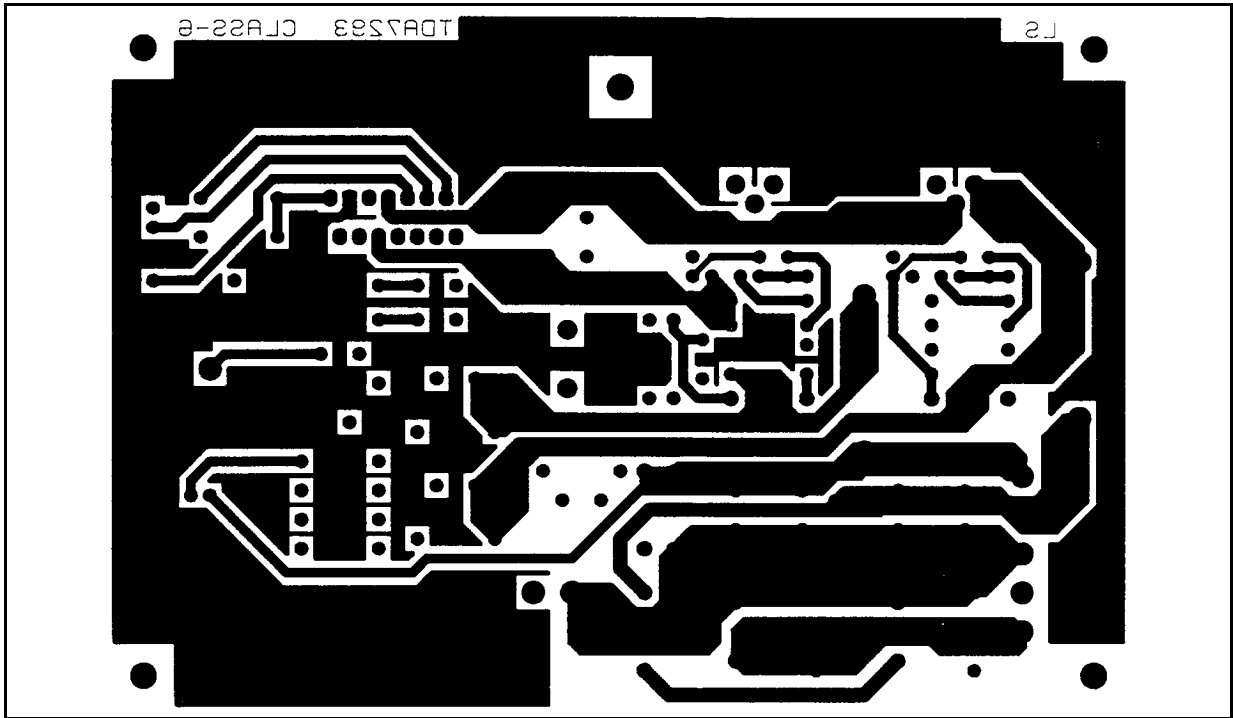


Figure 7: Modular Application Circuit

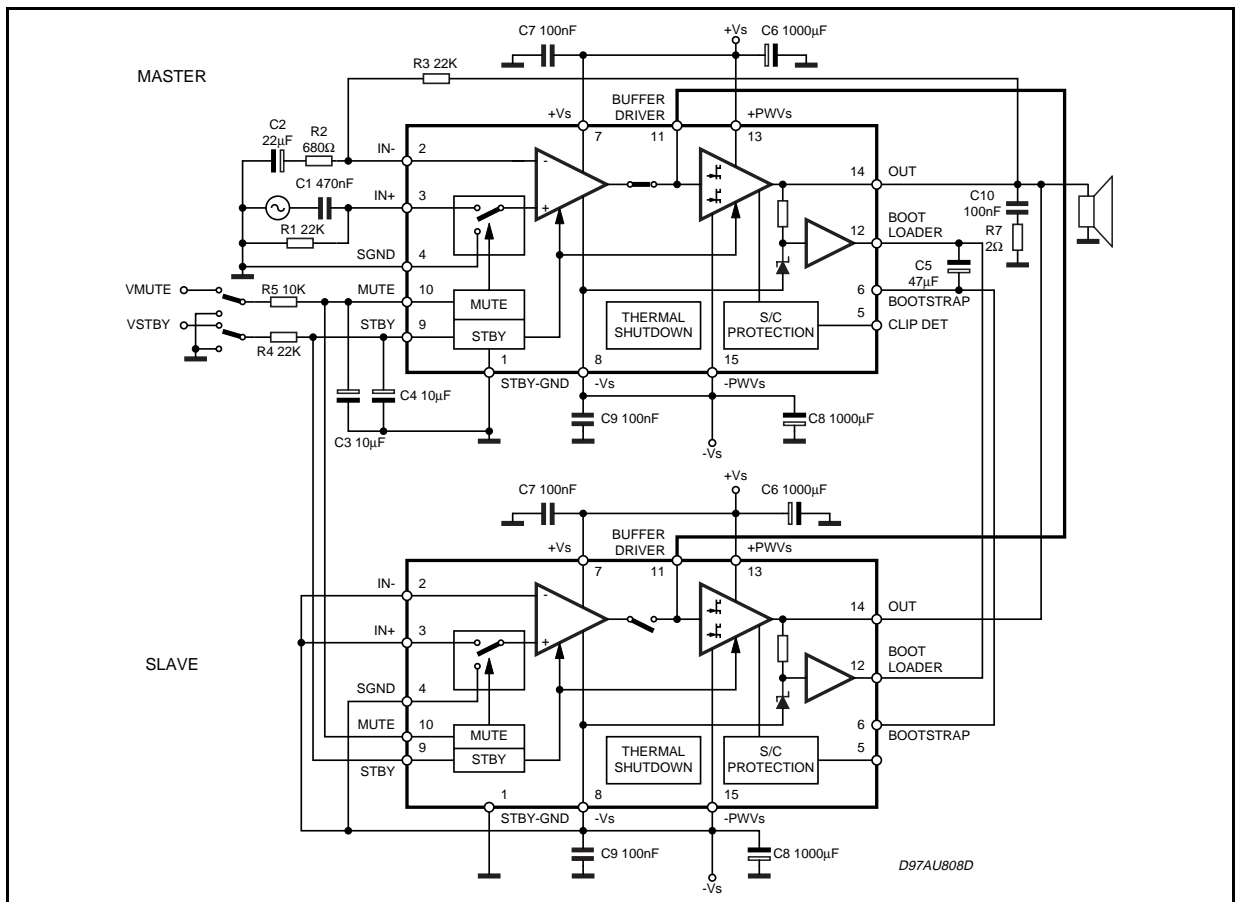


Figure 8a: Modular Application P.C. Board and Component Layout (scale 1:1) (Component SIDE)

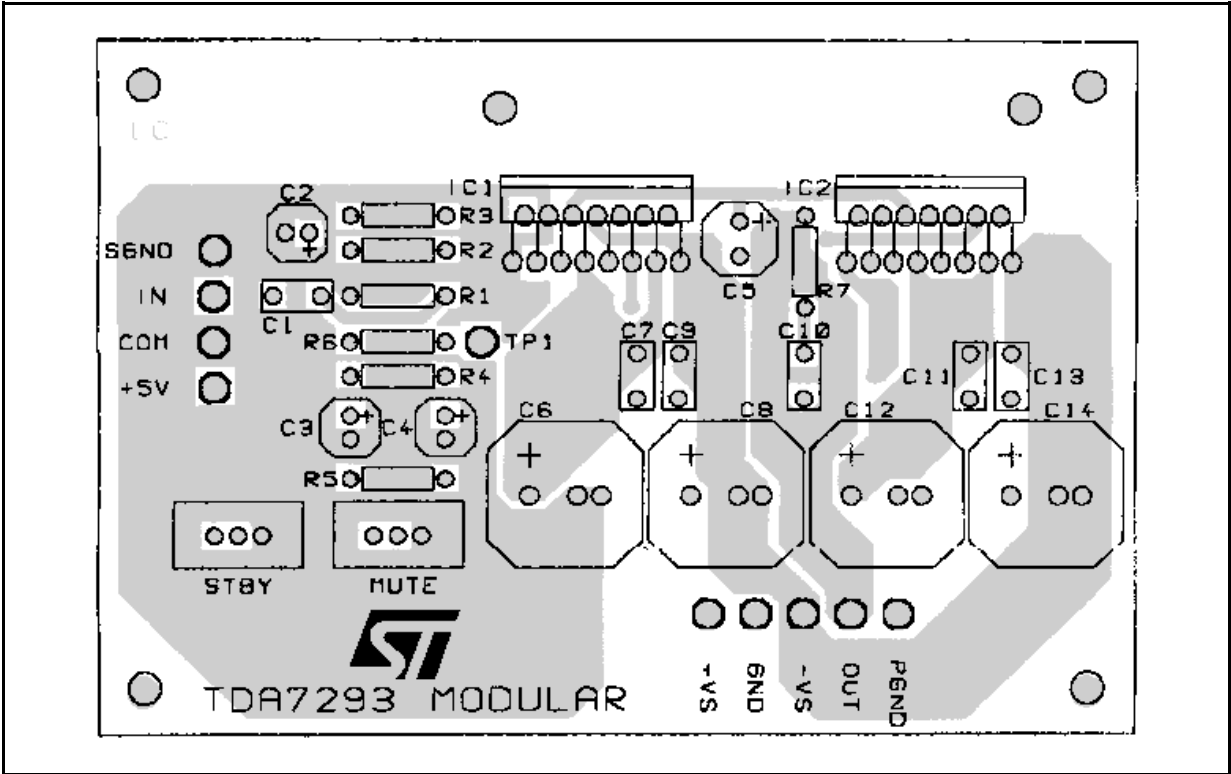


Figure 8b: Modular Application P.C. Board and Component Layout (scale 1:1) (Solder SIDE)

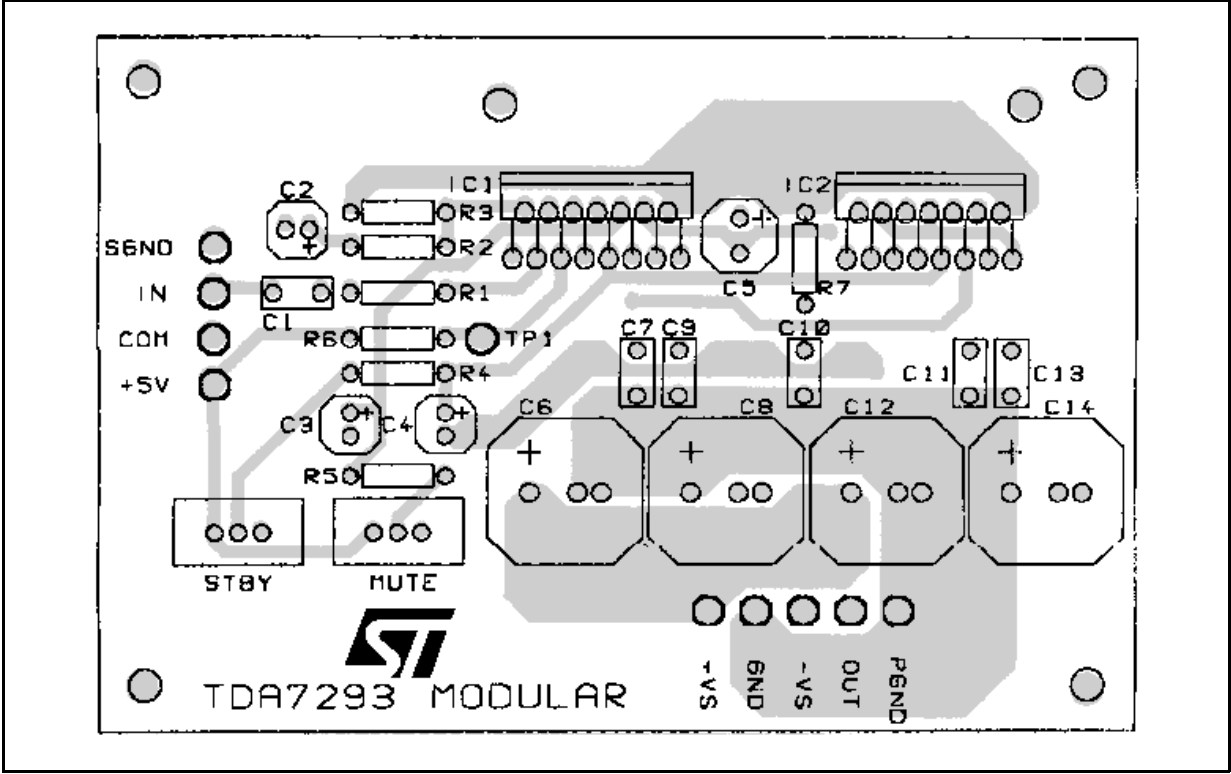


Figure 9: Distortion vs Output Power

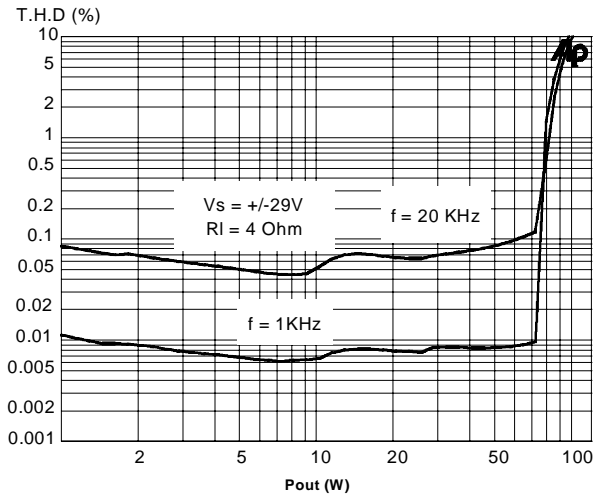


Figure 10: Distortion vs Output Power

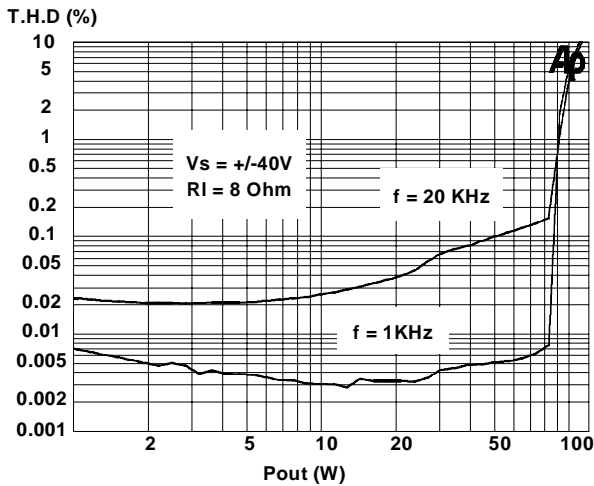


Figure 11: Distortion vs Frequency

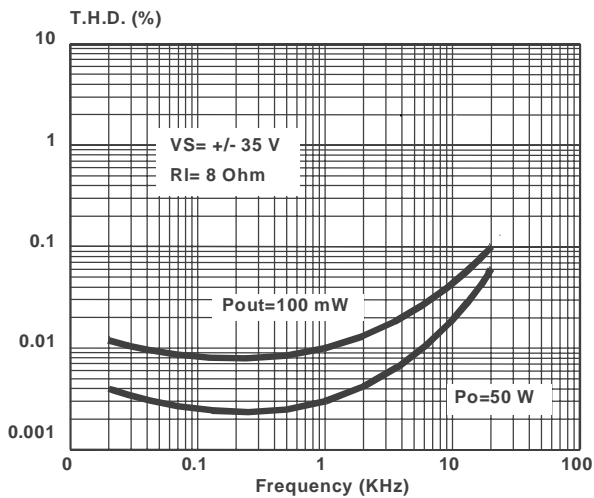


Figure 12: Modular Application Derating Rload vs Vsupply (ref. fig. 7)

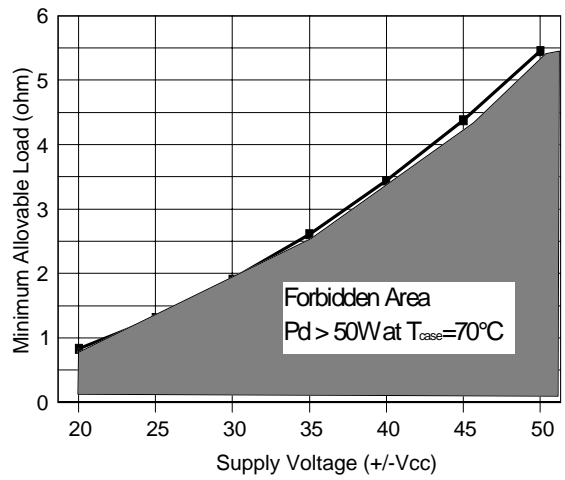


Figure 13: Modular Application Pd vs Vsupply (ref. fig. 7)

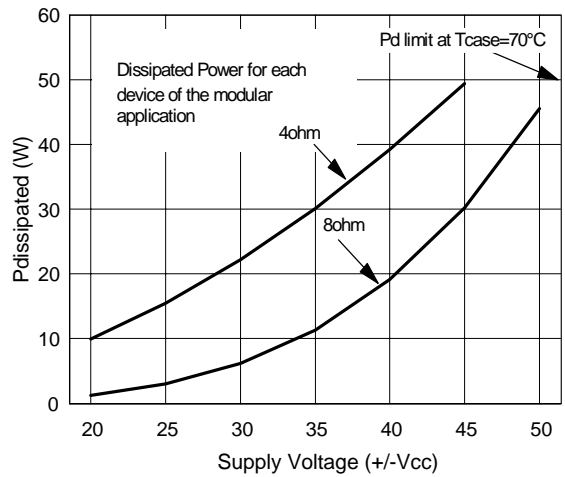
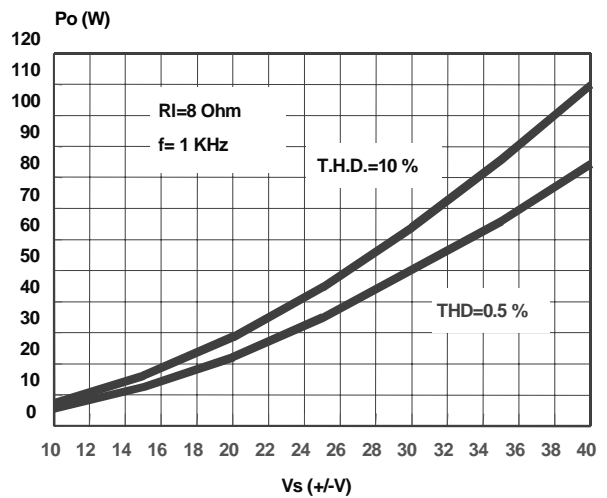
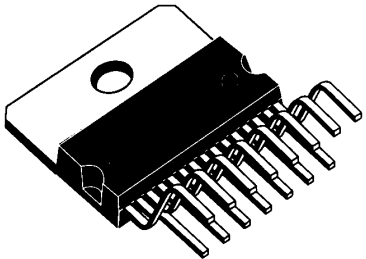


Figure 14: Output Power vs. Supply Voltage

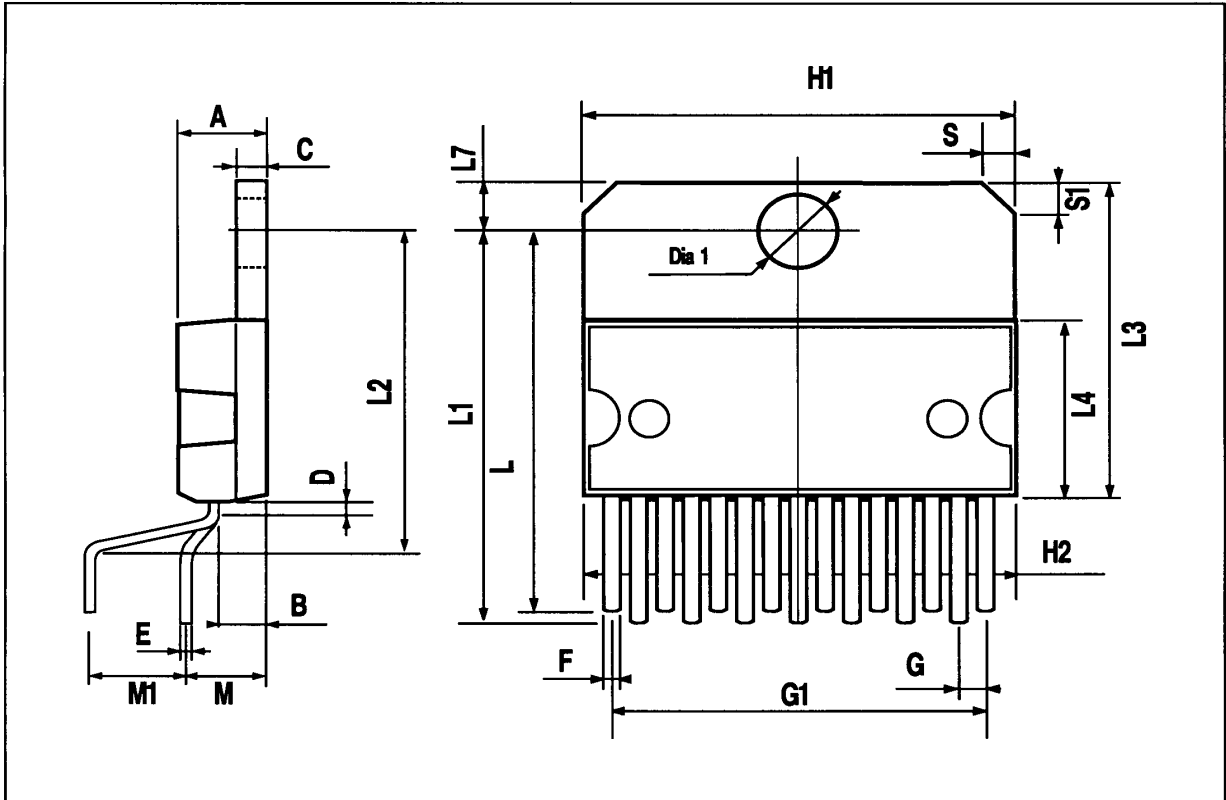


DIM.	mm			inch		
	MIN.	TYP.	MAX.	MIN.	TYP.	MAX.
A			5			0.197
B			2.65			0.104
C			1.6			0.063
D		1			0.039	
E	0.49		0.55	0.019		0.022
F	0.66		0.75	0.026		0.030
G	1.02	1.27	1.52	0.040	0.050	0.060
G1	17.53	17.78	18.03	0.690	0.700	0.710
H1	19.6			0.772		
H2			20.2			0.795
L	21.9	22.2	22.5	0.862	0.874	0.886
L1	21.7	22.1	22.5	0.854	0.870	0.886
L2	17.65		18.1	0.695		0.713
L3	17.25	17.5	17.75	0.679	0.689	0.699
L4	10.3	10.7	10.9	0.406	0.421	0.429
L7	2.65		2.9	0.104		0.114
M	4.25	4.55	4.85	0.167	0.179	0.191
M1	4.63	5.08	5.53	0.182	0.200	0.218
S	1.9		2.6	0.075		0.102
S1	1.9		2.6	0.075		0.102
Dia1	3.65		3.85	0.144		0.152

OUTLINE AND MECHANICAL DATA

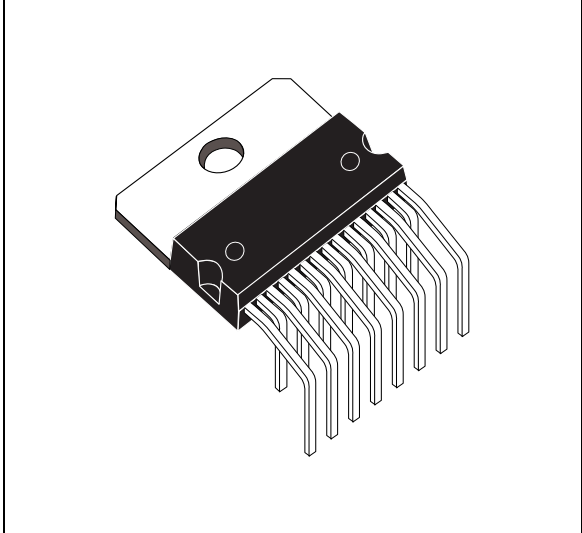


Multiwatt15 V

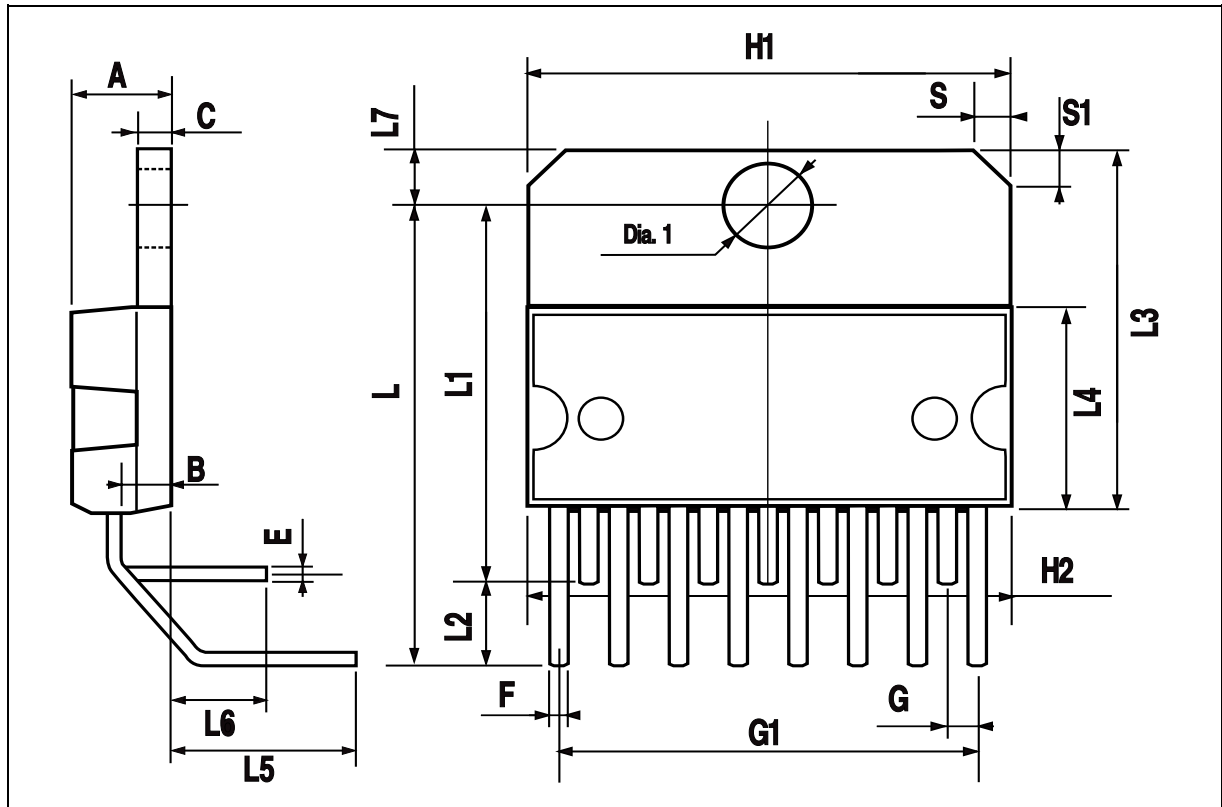


DIM.	mm			inch		
	MIN.	TYP.	MAX.	MIN.	TYP.	MAX.
A			5			0.197
B			2.65			0.104
C			1.6			0.063
E	0.49		0.55	0.019		0.022
F	0.66		0.75	0.026		0.030
G	1.14	1.27	1.4	0.045	0.050	0.055
G1	17.57	17.78	17.91	0.692	0.700	0.705
H1	19.6			0.772		
H2			20.2			0.795
L		20.57			0.810	
L1		18.03			0.710	
L2		2.54			0.100	
L3	17.25	17.5	17.75	0.679	0.689	0.699
L4	10.3	10.7	10.9	0.406	0.421	0.429
L5		5.28			0.208	
L6		2.38			0.094	
L7	2.65		2.9	0.104		0.114
S	1.9		2.6	0.075		0.102
S1	1.9		2.6	0.075		0.102
Dia1	3.65		3.85	0.144		0.152

OUTLINE AND MECHANICAL DATA



Multiwatt15 H



Information furnished is believed to be accurate and reliable. However, STMicroelectronics assumes no responsibility for the consequences of use of such information nor for any infringement of patents or other rights of third parties which may result from its use. No license is granted by implication or otherwise under any patent or patent rights of STMicroelectronics. Specification mentioned in this publication are subject to change without notice. This publication supersedes and replaces all information previously supplied. STMicroelectronics products are not authorized for use as critical components in life support devices or systems without express written approval of STMicroelectronics.

The ST logo is a registered trademark of STMicroelectronics

© 2003 STMicroelectronics – Printed in Italy – All Rights Reserved

STMicroelectronics GROUP OF COMPANIES

Australia - Brazil - Canada - China - Finland - France - Germany - Hong Kong - India - Israel - Italy - Japan - Malaysia - Malta - Morocco -
Singapore - Spain - Sweden - Switzerland - United Kingdom - United States.

<http://www.st.com>



LM124/LM224/LM324/LM2902

Low Power Quad Operational Amplifiers

General Description

The LM124 series consists of four independent, high gain, internally frequency compensated operational amplifiers which were designed specifically to operate from a single power supply over a wide range of voltages. Operation from split power supplies is also possible and the low power supply current drain is independent of the magnitude of the power supply voltage.

Application areas include transducer amplifiers, DC gain blocks and all the conventional op amp circuits which now can be more easily implemented in single power supply systems. For example, the LM124 series can be directly operated off of the standard +5V power supply voltage which is used in digital systems and will easily provide the required interface electronics without requiring the additional $\pm 15V$ power supplies.

Unique Characteristics

- In the linear mode the input common-mode voltage range includes ground and the output voltage can also swing to ground, even though operated from only a single power supply voltage
- The unity gain cross frequency is temperature compensated
- The input bias current is also temperature compensated

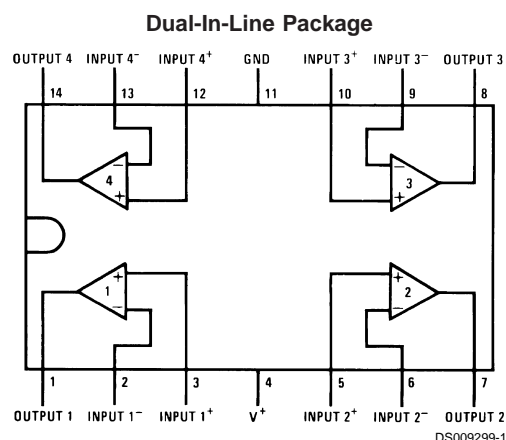
Advantages

- Eliminates need for dual supplies
- Four internally compensated op amps in a single package
- Allows directly sensing near GND and V_{OUT} also goes to GND
- Compatible with all forms of logic
- Power drain suitable for battery operation

Features

- Internally frequency compensated for unity gain
- Large DC voltage gain 100 dB
- Wide bandwidth (unity gain) 1 MHz (temperature compensated)
- Wide power supply range:
Single supply 3V to 32V
or dual supplies $\pm 1.5V$ to $\pm 16V$
- Very low supply current drain (700 μA)—essentially independent of supply voltage
- Low input biasing current 45 nA (temperature compensated)
- Low input offset voltage 2 mV and offset current: 5 nA
- Input common-mode voltage range includes ground
- Differential input voltage range equal to the power supply voltage
- Large output voltage swing 0V to $V^+ - 1.5V$

Connection Diagram



Top View

Order Number LM124J, LM124AJ, LM124J/883 (Note 2), LM124AJ/883 (Note 1), LM224J, LM224AJ, LM324J, LM324M, LM324MX, LM324AM, LM324AMX, LM2902M, LM2902MX, LM324N, LM324AN, LM324MT, LM324MTX or LM2902N LM124AJRQML and LM124AJRQMLV (Note 3)

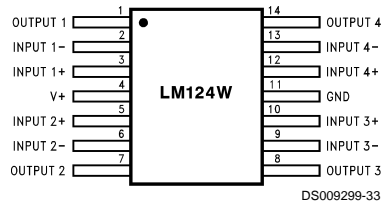
See NS Package Number J14A, M14A or N14A

Note 1: LM124A available per JM38510/11006

Note 2: LM124 available per JM38510/11005

Connection Diagram (Continued)

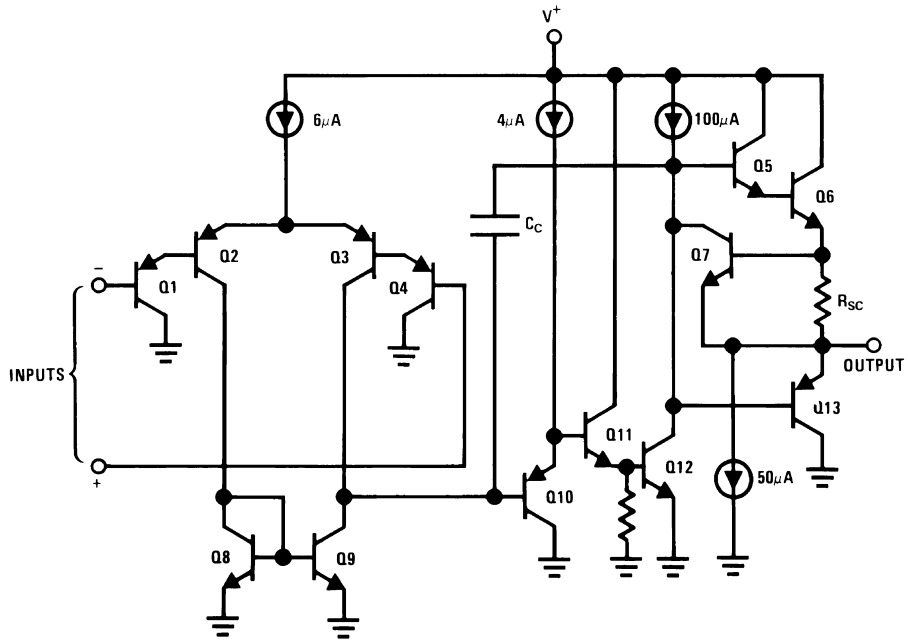
Note 3: See STD Mil DWG 5962R99504 for Radiation Tolerant Device



DS009299-33

Order Number LM124AW/883, LM124AWG/883, LM124W/883 or LM124WG/883
 LM124AWRQML and LM124AWRQMLV(Note 3)
 See NS Package Number W14B
 LM124AWGRQML and LM124AWGRQMLV(Note 3)
 See NS Package Number WG14A

Schematic Diagram (Each Amplifier)



DS009299-2

Absolute Maximum Ratings (Note 12)

If Military/Aerospace specified devices are required, please contact the National Semiconductor Sales Office/Distributors for availability and specifications.

	LM124/LM224/LM324 LM124A/LM224A/LM324A	LM2902
Supply Voltage, V^+	32V	26V
Differential Input Voltage	32V	26V
Input Voltage	-0.3V to +32V	-0.3V to +26V
Input Current ($V_{IN} < -0.3V$) (Note 6)	50 mA	50 mA
Power Dissipation (Note 4)		
Molded DIP	1130 mW	1130 mW
Cavity DIP	1260 mW	1260 mW
Small Outline Package	800 mW	800 mW
Output Short-Circuit to GND (One Amplifier) (Note 5) $V^+ \leq 15V$ and $T_A = 25^\circ C$	Continuous	Continuous
Operating Temperature Range		-40°C to +85°C
LM324/LM324A	0°C to +70°C	
LM224/LM224A	-25°C to +85°C	
LM124/LM124A	-55°C to +125°C	
Storage Temperature Range	-65°C to +150°C	-65°C to +150°C
Lead Temperature (Soldering, 10 seconds)	260°C	260°C
Soldering Information		
Dual-In-Line Package		
Soldering (10 seconds)	260°C	260°C
Small Outline Package		
Vapor Phase (60 seconds)	215°C	215°C
Infrared (15 seconds)	220°C	220°C
See AN-450 "Surface Mounting Methods and Their Effect on Product Reliability" for other methods of soldering surface mount devices.		
ESD Tolerance (Note 13)	250V	250V

Electrical Characteristics

$V^+ = +5.0V$, (Note 7), unless otherwise stated

Parameter	Conditions	LM124A			LM224A			LM324A			Units
		Min	Typ	Max	Min	Typ	Max	Min	Typ	Max	
Input Offset Voltage	(Note 8) $T_A = 25^\circ C$		1	2		1	3		2	3	mV
Input Bias Current (Note 9)	$I_{IN(+)} \text{ or } I_{IN(-)}, V_{CM} = 0V,$ $T_A = 25^\circ C$		20	50		40	80		45	100	nA
Input Offset Current	$I_{IN(+)} \text{ or } I_{IN(-)}, V_{CM} = 0V,$ $T_A = 25^\circ C$		2	10		2	15		5	30	nA
Input Common-Mode Voltage Range (Note 10)	$V^+ = 30V$, (LM2902, $V^+ = 26V$), $T_A = 25^\circ C$		0	$V^+ - 1.5$		0	$V^+ - 1.5$		0	$V^+ - 1.5$	V
Supply Current	Over Full Temperature Range $R_L = \infty$ On All Op Amps $V^+ = 30V$ (LM2902 $V^+ = 26V$) $V^+ = 5V$		1.5	3		1.5	3		1.5	3	mA
			0.7	1.2		0.7	1.2		0.7	1.2	
Large Signal Voltage Gain	$V^+ = 15V, R_L \geq 2k\Omega,$ ($V_O = 1V$ to $11V$), $T_A = 25^\circ C$	50	100		50	100		25	100		V/mV
Common-Mode Rejection Ratio	DC, $V_{CM} = 0V$ to $V^+ - 1.5V,$ $T_A = 25^\circ C$	70	85		70	85		65	85		dB

Electrical Characteristics (Continued)

$V^+ = +5.0V$, (Note 7), unless otherwise stated

Parameter	Conditions	LM124A			LM224A			LM324A			Units
		Min	Typ	Max	Min	Typ	Max	Min	Typ	Max	
Power Supply Rejection Ratio	$V^+ = 5V$ to $30V$ (LM2902, $V^+ = 5V$ to $26V$), $T_A = 25^\circ C$	65	100		65	100		65	100		dB
Amplifier-to-Amplifier Coupling (Note 11)	$f = 1$ kHz to 20 kHz, $T_A = 25^\circ C$ (Input Referred)		-120			-120			-120		dB
Output Current	Source	$V_{IN}^+ = 1V$, $V_{IN}^- = 0V$, $V^+ = 15V$, $V_O = 2V$, $T_A = 25^\circ C$			20	40		20	40		mA
	Sink	$V_{IN}^- = 1V$, $V_{IN}^+ = 0V$, $V^+ = 15V$, $V_O = 2V$, $T_A = 25^\circ C$			10	20		10	20		
		$V_{IN}^- = 1V$, $V_{IN}^+ = 0V$, $V^+ = 15V$, $V_O = 200$ mV, $T_A = 25^\circ C$			12	50		12	50		μA
Short Circuit to Ground	(Note 5) $V^+ = 15V$, $T_A = 25^\circ C$		40	60		40	60		40	60	mA
Input Offset Voltage	(Note 8)			4			4			5	mV
V_{OS} Drift	$R_S = 0\Omega$		7	20		7	20		7	30	$\mu V/^\circ C$
Input Offset Current	$I_{IN(+)} - I_{IN(-)}$, $V_{CM} = 0V$			30			30			75	nA
I_{OS} Drift	$R_S = 0\Omega$		10	200		10	200		10	300	$\mu A/^\circ C$
Input Bias Current	$I_{IN(+)}$ or $I_{IN(-)}$		40	100		40	100		40	200	nA
Input Common-Mode Voltage Range (Note 10)	$V^+ = +30V$ (LM2902, $V^+ = 26V$)	0		$V^+ - 2$	0		$V^+ - 2$	0		$V^+ - 2$	V
Large Signal Voltage Gain	$V^+ = +15V$ ($V_{OSwing} = 1V$ to $11V$) $R_L \geq 2$ k Ω	25			25			15			V/mV
Output Voltage Swing	V_{OH}	$V^+ = 30V$ (LM2902, $V^+ = 26V$)	$R_L = 2$ k Ω		26			26			V
			$R_L = 10$ k Ω		27	28		27	28		27
	V_{OL}	$V^+ = 5V$, $R_L = 10$ k Ω			5	20		5	20		mV
Output Current	Source	$V_O = 2V$	$V_{IN}^+ = +1V$, $V_{IN}^- = 0V$, $V^+ = 15V$		10	20		10	20		mA
	Sink		$V_{IN}^- = +1V$, $V_{IN}^+ = 0V$, $V^+ = 15V$		10	15		5	8		

Electrical Characteristics

$V^+ = +5.0V$, (Note 7), unless otherwise stated

Parameter	Conditions	LM124/LM224			LM324		LM2902		Units		
		Min	Typ	Max	Min	Typ	Max	Min		Typ	Max
Input Offset Voltage	(Note 8) $T_A = 25^\circ C$		2	5		2	7		2	7	mV
Input Bias Current (Note 9)	$I_{IN(+)}$ or $I_{IN(-)}$, $V_{CM} = 0V$, $T_A = 25^\circ C$		45	150		45	250		45	250	nA
Input Offset Current	$I_{IN(+)}$ or $I_{IN(-)}$, $V_{CM} = 0V$, $T_A = 25^\circ C$		3	30		5	50		5	50	nA
Input Common-Mode Voltage Range (Note 10)	$V^+ = 30V$, (LM2902, $V^+ = 26V$), $T_A = 25^\circ C$	0		$V^+ - 1.5$	0		$V^+ - 1.5$	0		$V^+ - 1.5$	V
Supply Current	Over Full Temperature Range $R_L = \infty$ On All Op Amps $V^+ = 30V$ (LM2902 $V^+ = 26V$) $V^+ = 5V$		1.5	3		1.5	3		1.5	3	mA
			0.7	1.2		0.7	1.2		0.7	1.2	
Large Signal Voltage Gain	$V^+ = 15V$, $R_L \geq 2$ k Ω , ($V_O = 1V$ to $11V$), $T_A = 25^\circ C$	50	100		25	100		25	100		V/mV
Common-Mode Rejection Ratio	DC, $V_{CM} = 0V$ to $V^+ - 1.5V$, $T_A = 25^\circ C$	70	85		65	85		50	70		dB
Power Supply Rejection Ratio	$V^+ = 5V$ to $30V$ (LM2902, $V^+ = 5V$ to $26V$),	65	100		65	100		50	100		dB

Electrical Characteristics (Continued)

$V^+ = +5.0V$, (Note 7), unless otherwise stated

Parameter	Conditions	LM124/LM224			LM324			LM2902			Units	
		Min	Typ	Max	Min	Typ	Max	Min	Typ	Max		
	$T_A = 25^\circ C$											
Amplifier-to-Amplifier Coupling (Note 11)	$f = 1 \text{ kHz to } 20 \text{ kHz}$, $T_A = 25^\circ C$ (Input Referred)		-120			-120			-120		dB	
Output Current	Source	$V_{IN}^+ = 1V$, $V_{IN}^- = 0V$, $V^+ = 15V$, $V_O = 2V$, $T_A = 25^\circ C$	20	40		20	40		20	40	mA	
	Sink	$V_{IN}^- = 1V$, $V_{IN}^+ = 0V$, $V^+ = 15V$, $V_O = 2V$, $T_A = 25^\circ C$	10	20		10	20		10	20		
		$V_{IN}^- = 1V$, $V_{IN}^+ = 0V$, $V^+ = 15V$, $V_O = 200 \text{ mV}$, $T_A = 25^\circ C$	12	50		12	50		12	50	μA	
Short Circuit to Ground	(Note 5) $V^+ = 15V$, $T_A = 25^\circ C$		40	60		40	60		40	60	mA	
Input Offset Voltage	(Note 8)			7			9			10	mV	
V_{OS} Drift	$R_S = 0\Omega$		7			7			7		$\mu V/^\circ C$	
Input Offset Current	$I_{IN(+)} - I_{IN(-)}$, $V_{CM} = 0V$			100			150		45	200	nA	
I_{OS} Drift	$R_S = 0\Omega$		10			10			10		$\mu A/^\circ C$	
Input Bias Current	$I_{IN(+)}$ or $I_{IN(-)}$		40	300		40	500		40	500	nA	
Input Common-Mode Voltage Range (Note 10)	$V^+ = +30V$ (LM2902, $V^+ = 26V$)		0	$V^+ - 2$		0	$V^+ - 2$		0	$V^+ - 2$	V	
Large Signal Voltage Gain	$V^+ = +15V$ ($V_{OSwing} = 1V \text{ to } 11V$) $R_L \geq 2 \text{ k}\Omega$		25			15			15		V/mV	
Output Voltage Swing	V_{OH}	$V^+ = 30V$ (LM2902, $V^+ = 26V$)				26			22		V	
						27	28		23	24		
	V_{OL}	$V^+ = 5V$, $R_L = 10 \text{ k}\Omega$		5	20		5	20		5	100	mV
Output Current	Source	$V_O = 2V$				10	20		10	20	mA	
		$V_{IN}^+ = +1V$, $V_{IN}^- = 0V$, $V^+ = 15V$										
	Sink	$V_{IN}^- = +1V$, $V_{IN}^+ = 0V$, $V^+ = 15V$		5	8		5	8		5	8	

Note 4: For operating at high temperatures, the LM324/LM324A/LM2902 must be derated based on a $+125^\circ C$ maximum junction temperature and a thermal resistance of $88^\circ C/W$ which applies for the device soldered in a printed circuit board, operating in a still air ambient. The LM224/LM224A and LM124/LM124A can be derated based on a $+150^\circ C$ maximum junction temperature. The dissipation is the total of all four amplifiers—use external resistors, where possible, to allow the amplifier to saturate or to reduce the power which is dissipated in the integrated circuit.

Note 5: Short circuits from the output to V^+ can cause excessive heating and eventual destruction. When considering short circuits to ground, the maximum output current is approximately 40 mA independent of the magnitude of V^+ . At values of supply voltage in excess of +15V, continuous short-circuits can exceed the power dissipation ratings and cause eventual destruction. Destructive dissipation can result from simultaneous shorts on all amplifiers.

Note 6: This input current will only exist when the voltage at any of the input leads is driven negative. It is due to the collector-base junction of the input PNP transistors becoming forward biased and thereby acting as input diode clamps. In addition to this diode action, there is also lateral NPN parasitic transistor action on the IC chip. This transistor action can cause the output voltages of the op amps to go to the V^+ voltage level (or to ground for a large overdrive) for the time duration that an input is driven negative. This is not destructive and normal output states will re-establish when the input voltage, which was negative, again returns to a value greater than $-0.3V$ (at $25^\circ C$).

Note 7: These specifications are limited to $-55^\circ C \leq T_A \leq +125^\circ C$ for the LM124/LM124A. With the LM224/LM224A, all temperature specifications are limited to $-25^\circ C \leq T_A \leq +85^\circ C$, the LM324/LM324A temperature specifications are limited to $0^\circ C \leq T_A \leq +70^\circ C$, and the LM2902 specifications are limited to $-40^\circ C \leq T_A \leq +85^\circ C$.

Note 8: $V_O \approx 1.4V$, $R_S = 0\Omega$ with V^+ from 5V to 30V; and over the full input common-mode range (0V to $V^+ - 1.5V$) for LM2902, V^+ from 5V to 26V.

Note 9: The direction of the input current is out of the IC due to the PNP input stage. This current is essentially constant, independent of the state of the output so no loading change exists on the input lines.

Note 10: The input common-mode voltage of either input signal voltage should not be allowed to go negative by more than 0.3V (at $25^\circ C$). The upper end of the common-mode voltage range is $V^+ - 1.5V$ (at $25^\circ C$), but either or both inputs can go to +32V without damage (+26V for LM2902), independent of the magnitude of V^+ .

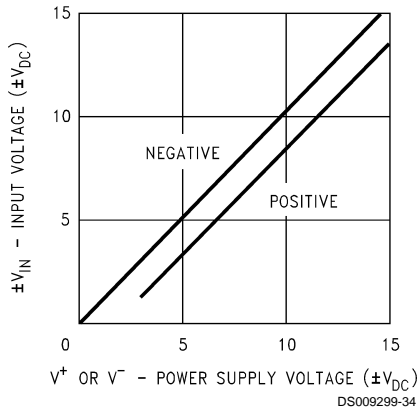
Note 11: Due to proximity of external components, insure that coupling is not originating via stray capacitance between these external parts. This typically can be detected as this type of capacitance increases at higher frequencies.

Note 12: Refer to RETS124AX for LM124A military specifications and refer to RETS124X for LM124 military specifications.

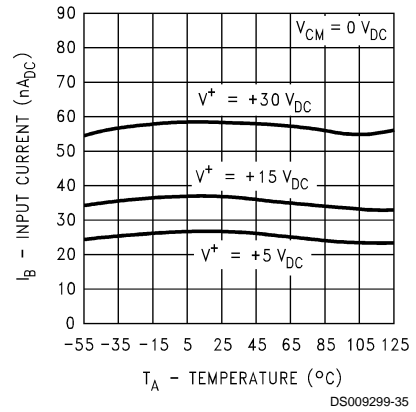
Note 13: Human body model, 1.5 k Ω in series with 100 pF.

Typical Performance Characteristics

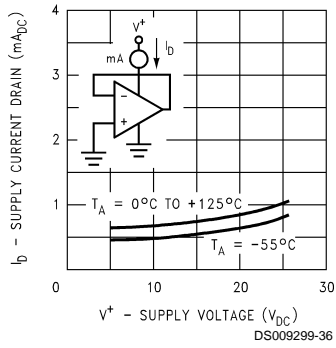
Input Voltage Range



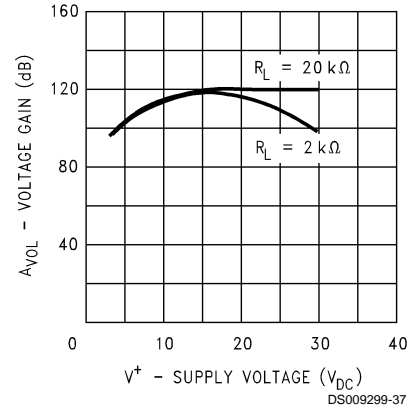
Input Current



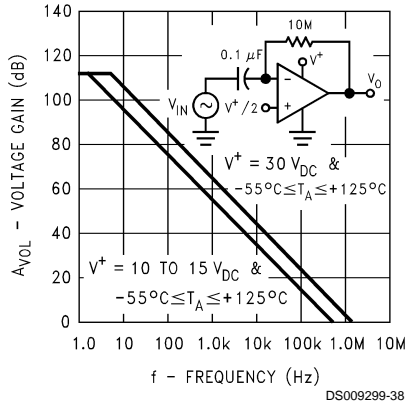
Supply Current



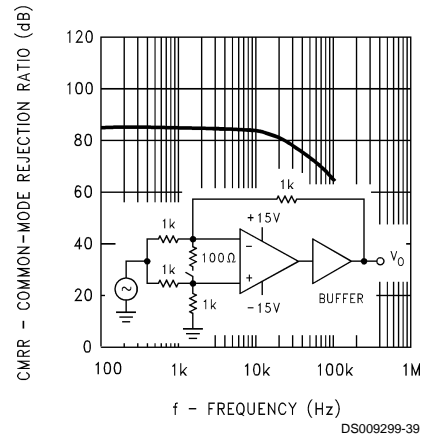
Voltage Gain



Open Loop Frequency Response

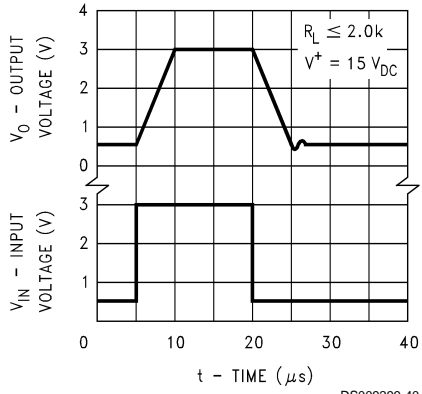


Common Mode Rejection Ratio

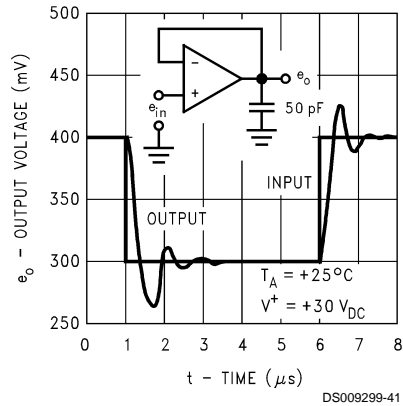


Typical Performance Characteristics (Continued)

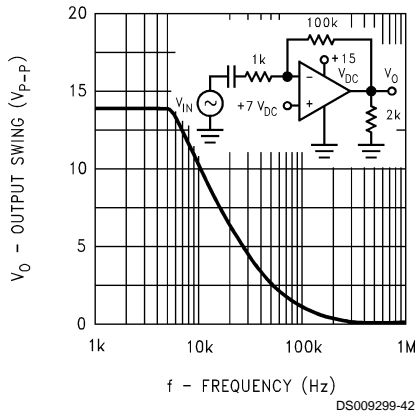
Voltage Follower Pulse Response



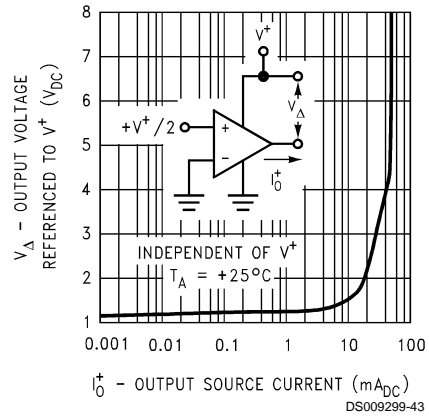
Voltage Follower Pulse Response (Small Signal)



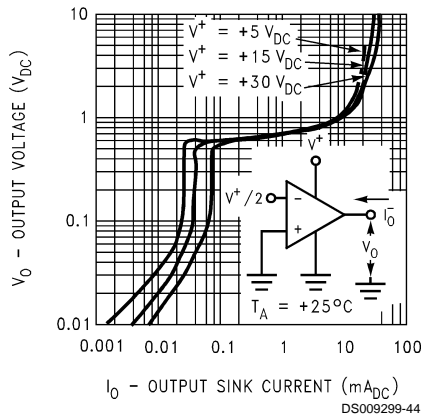
Large Signal Frequency Response



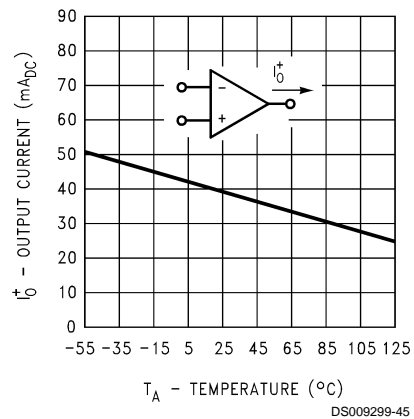
Output Characteristics Current Sourcing



Output Characteristics Current Sinking

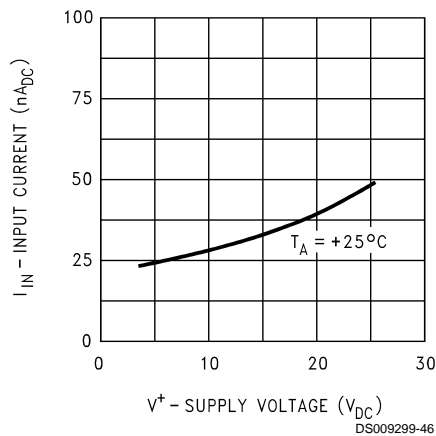


Current Limiting

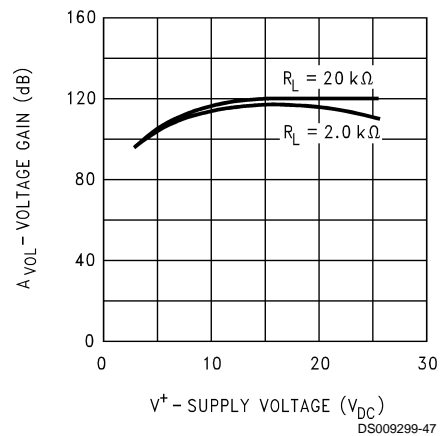


Typical Performance Characteristics (Continued)

Input Current (LM2902 only)



Voltage Gain (LM2902 only)



Application Hints

The LM124 series are op amps which operate with only a single power supply voltage, have true-differential inputs, and remain in the linear mode with an input common-mode voltage of $0\text{ }V_{DC}$. These amplifiers operate over a wide range of power supply voltage with little change in performance characteristics. At $25^\circ C$ amplifier operation is possible down to a minimum supply voltage of $2.3\text{ }V_{DC}$.

The pinouts of the package have been designed to simplify PC board layouts. Inverting inputs are adjacent to outputs for all of the amplifiers and the outputs have also been placed at the corners of the package (pins 1, 7, 8, and 14).

Precautions should be taken to insure that the power supply for the integrated circuit never becomes reversed in polarity or that the unit is not inadvertently installed backwards in a test socket as an unlimited current surge through the resulting forward diode within the IC could cause fusing of the internal conductors and result in a destroyed unit.

Large differential input voltages can be easily accommodated and, as input differential voltage protection diodes are not needed, no large input currents result from large differential input voltages. The differential input voltage may be larger than V^+ without damaging the device. Protection should be provided to prevent the input voltages from going negative more than $-0.3\text{ }V_{DC}$ (at $25^\circ C$). An input clamp diode with a resistor to the IC input terminal can be used.

To reduce the power supply drain, the amplifiers have a class A output stage for small signal levels which converts to class B in a large signal mode. This allows the amplifiers to both source and sink large output currents. Therefore both NPN and PNP external current boost transistors can be used to extend the power capability of the basic amplifiers. The output voltage needs to raise approximately 1 diode drop above ground to bias the on-chip vertical PNP transistor for output current sinking applications.

For ac applications, where the load is capacitively coupled to the output of the amplifier, a resistor should be used, from the output of the amplifier to ground to increase the class A bias current and prevent crossover distortion.

Where the load is directly coupled, as in dc applications, there is no crossover distortion.

Capacitive loads which are applied directly to the output of the amplifier reduce the loop stability margin. Values of 50 pF can be accommodated using the worst-case non-inverting unity gain connection. Large closed loop gains or resistive isolation should be used if larger load capacitance must be driven by the amplifier.

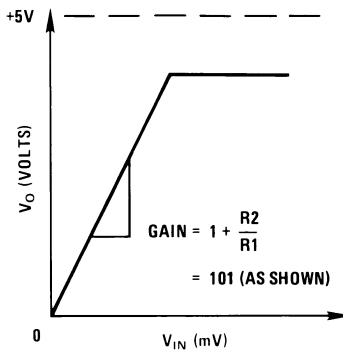
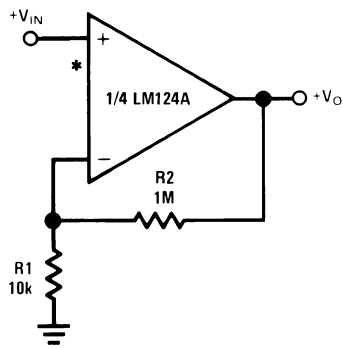
The bias network of the LM124 establishes a drain current which is independent of the magnitude of the power supply voltage over the range of from $3\text{ }V_{DC}$ to $30\text{ }V_{DC}$.

Output short circuits either to ground or to the positive power supply should be of short time duration. Units can be destroyed, not as a result of the short circuit current causing metal fusing, but rather due to the large increase in IC chip dissipation which will cause eventual failure due to excessive junction temperatures. Putting direct short-circuits on more than one amplifier at a time will increase the total IC power dissipation to destructive levels, if not properly protected with external dissipation limiting resistors in series with the output leads of the amplifiers. The larger value of output source current which is available at $25^\circ C$ provides a larger output current capability at elevated temperatures (see typical performance characteristics) than a standard IC op amp.

The circuits presented in the section on typical applications emphasize operation on only a single power supply voltage. If complementary power supplies are available, all of the standard op amp circuits can be used. In general, introducing a pseudo-ground (a bias voltage reference of $V^+/2$) will allow operation above and below this value in single power supply systems. Many application circuits are shown which take advantage of the wide input common-mode voltage range which includes ground. In most cases, input biasing is not required and input voltages which range to ground can easily be accommodated.

Typical Single-Supply Applications $(V^+ = 5.0 V_{DC})$

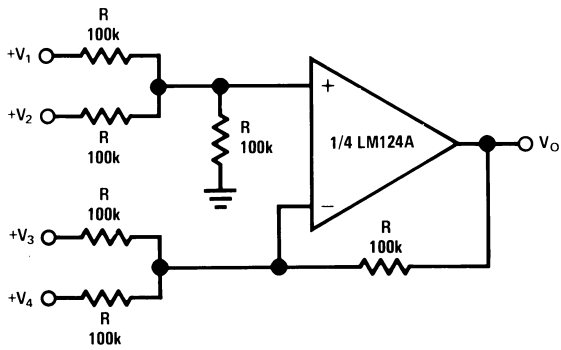
Non-Inverting DC Gain (0V Input = 0V Output)



DS009299-5

*R not needed due to temperature independent I_{IN}

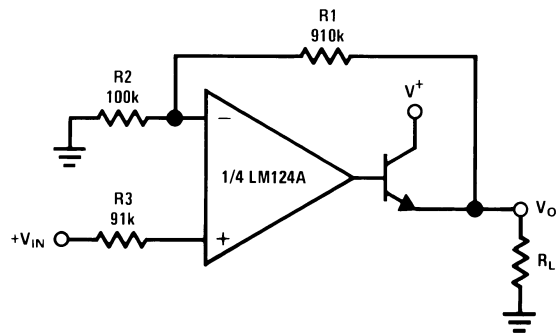
DC Summing Amplifier
($V_{IN'S} \geq 0 V_{DC}$ and $V_O \geq V_{DC}$)



DS009299-6

Where: $V_O = V_1 + V_2 - V_3 - V_4$
 $(V_1 + V_2) \geq (V_3 + V_4)$ to keep $V_O > 0 V_{DC}$

Power Amplifier

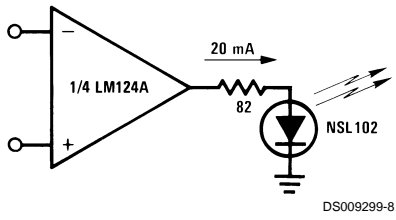


DS009299-7

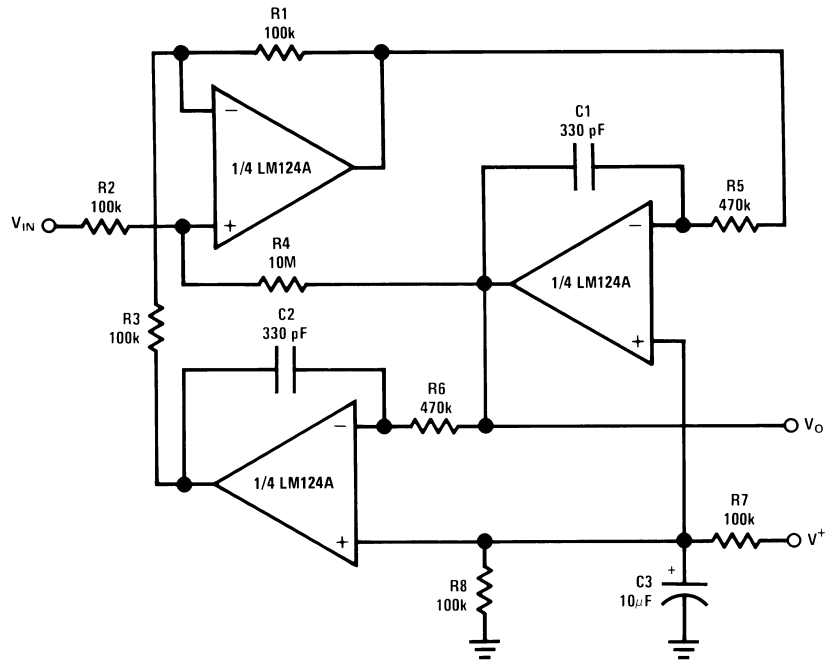
$V_O = 0 V_{DC}$ for $V_{IN} = 0 V_{DC}$
 $A_V = 10$

Typical Single-Supply Applications $(V^+ = 5.0 V_{DC})$ (Continued)

LED Driver

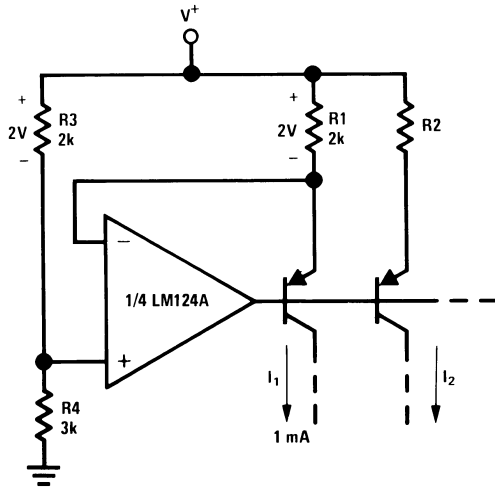


“BI-QUAD” RC Active Bandpass Filter



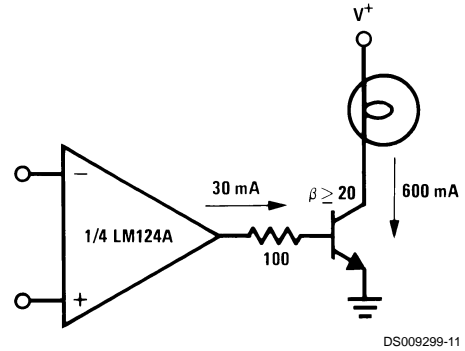
$f_o = 1 \text{ kHz}$
 $Q = 50$
 $A_V = 100 \text{ (40 dB)}$

Fixed Current Sources

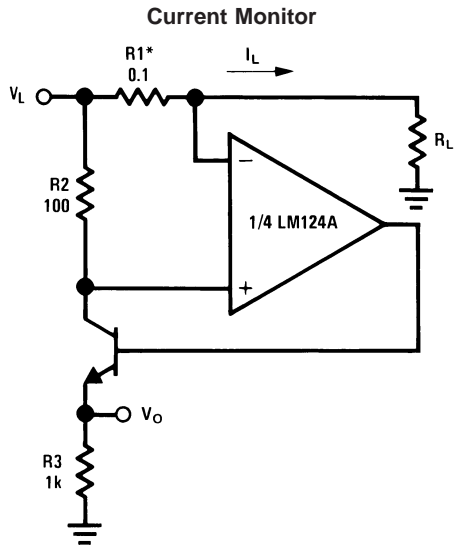


$$I_2 = \left(\frac{R_1}{R_2}\right) I_1$$

Lamp Driver



Typical Single-Supply Applications ($V^+ = 5.0 V_{DC}$) (Continued)

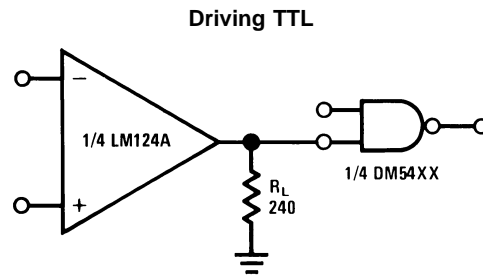


DS009299-12

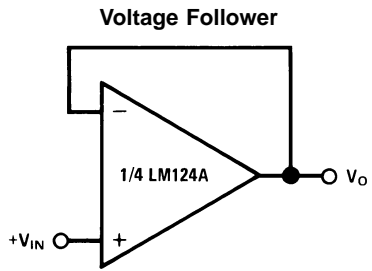
$$V_o = \frac{1V(I_L)}{1A}$$

$$V_L \leq V^+ - 2V$$

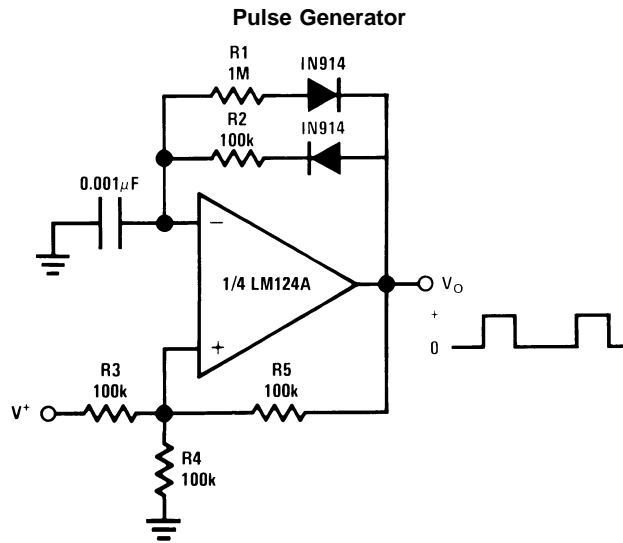
*(Increase R1 for I_L small)



DS009299-13



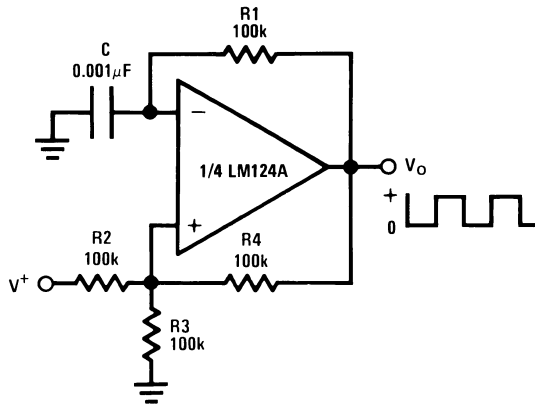
DS009299-14



DS009299-15

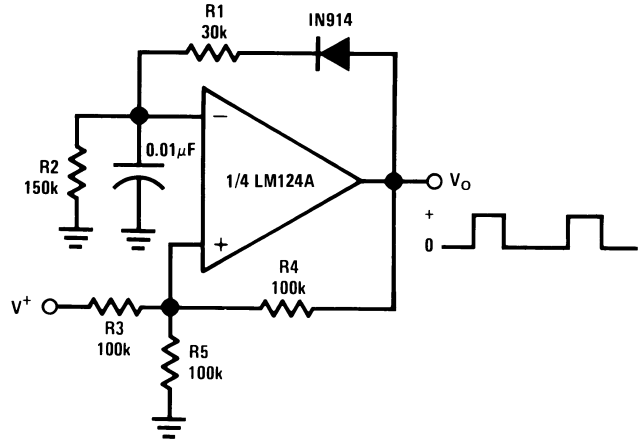
Typical Single-Supply Applications ($V^+ = 5.0 V_{DC}$) (Continued)

Squarewave Oscillator



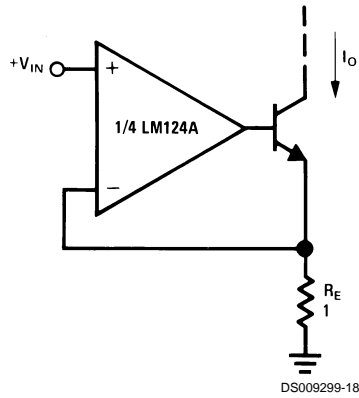
DS009299-16

Pulse Generator



DS009299-17

High Compliance Current Sink

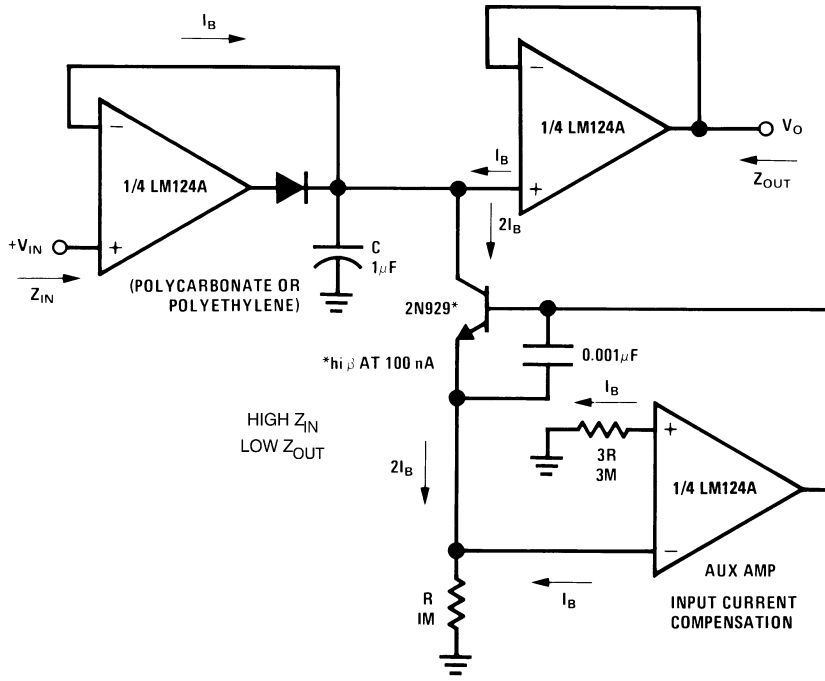


DS009299-18

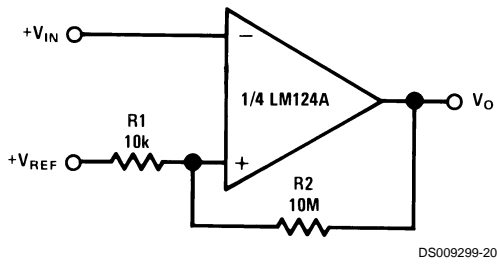
$I_o = 1 \text{ amp/volt } V_{IN}$
 (Increase R_E for I_o small)

Typical Single-Supply Applications ($V^+ = 5.0 V_{DC}$) (Continued)

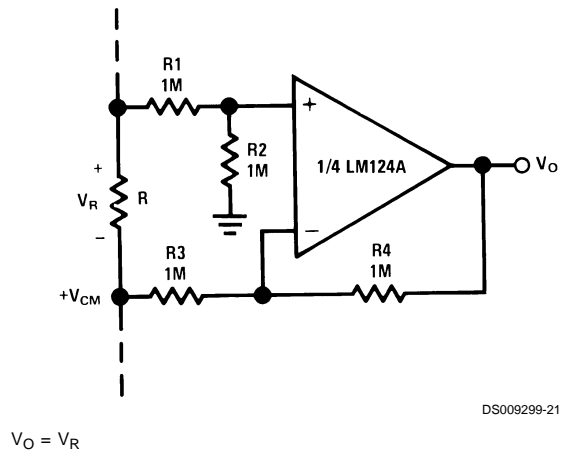
Low Drift Peak Detector



Comparator with Hysteresis

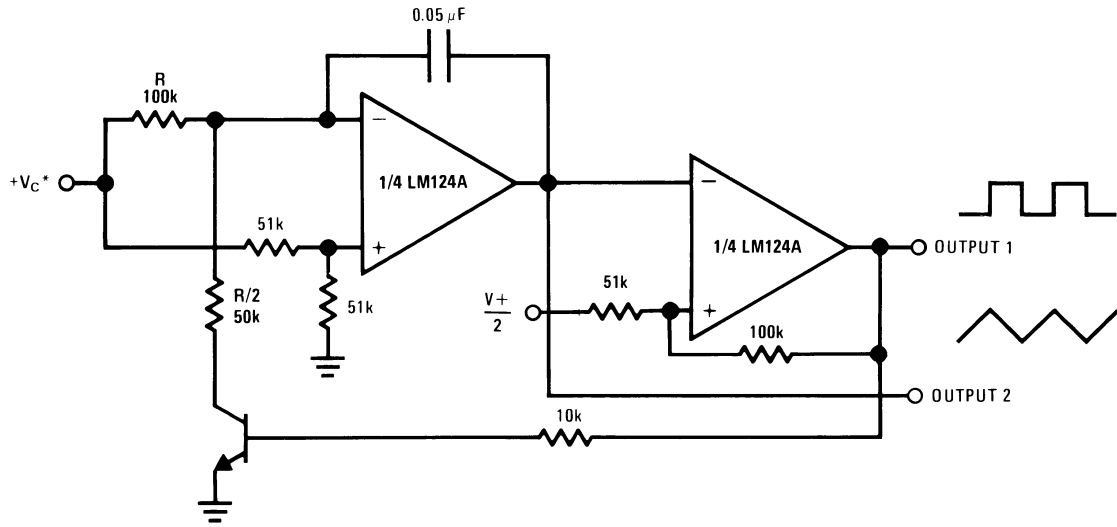


Ground Referencing a Differential Input Signal



Typical Single-Supply Applications $(V^+ = 5.0 V_{DC})$ (Continued)

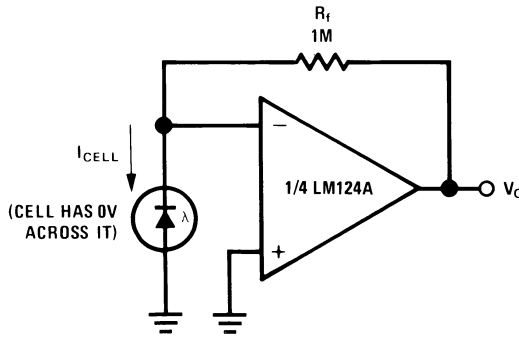
Voltage Controlled Oscillator Circuit



DS009299-22

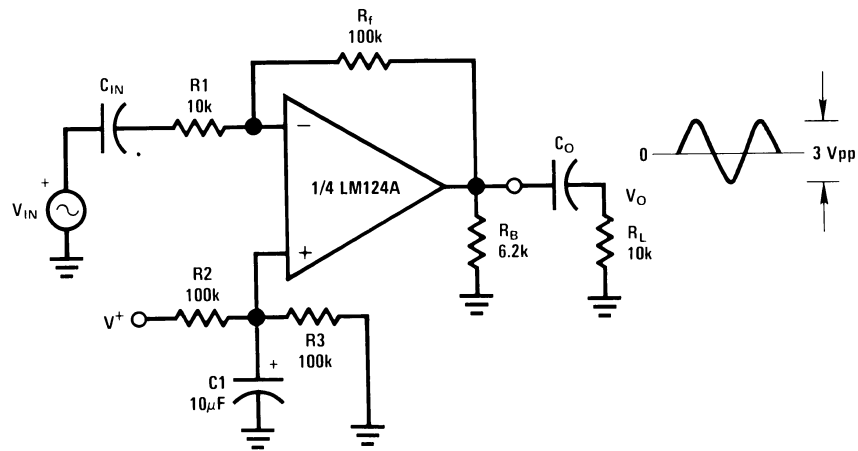
*Wide control voltage range: $0 V_{DC} \leq V_C \leq 2 (V^+ - 1.5 V_{DC})$

Photo Voltaic-Cell Amplifier



DS009299-23

AC Coupled Inverting Amplifier

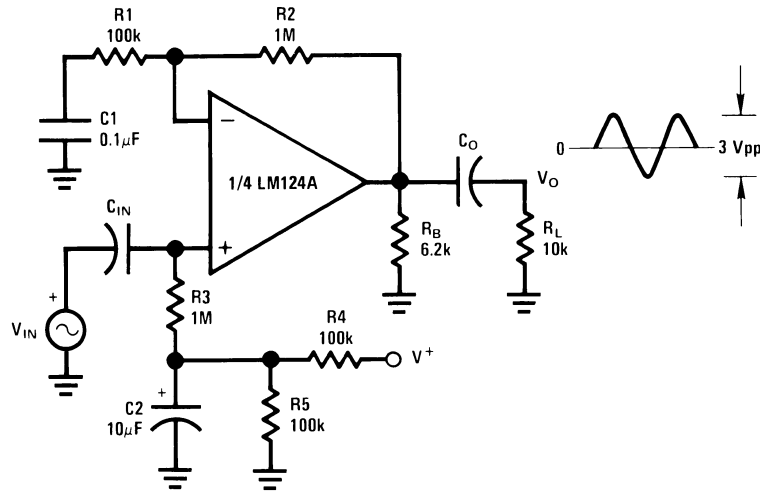


DS009299-24

$$A_V = \frac{R_f}{R_1} \text{ (As shown, } A_V = 10 \text{)}$$

Typical Single-Supply Applications ($V^+ = 5.0 V_{DC}$) (Continued)

AC Coupled Non-Inverting Amplifier

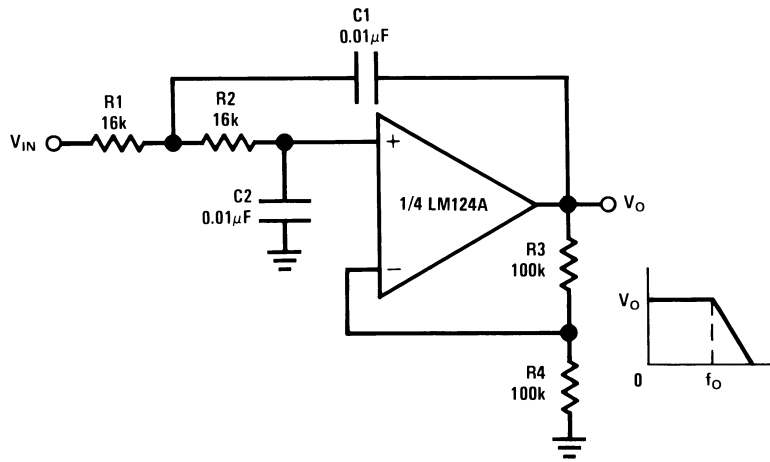


DS009299-25

$$A_V = 1 + \frac{R_2}{R_1}$$

$A_V = 11$ (As shown)

DC Coupled Low-Pass RC Active Filter

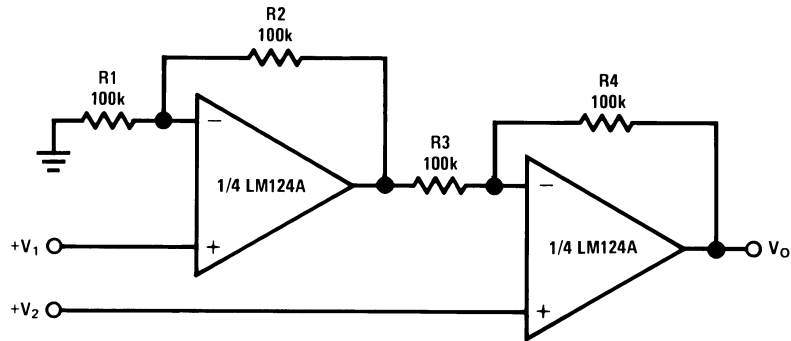


DS009299-26

$f_0 = 1 \text{ kHz}$
 $Q = 1$
 $A_V = 2$

Typical Single-Supply Applications $(V^+ = 5.0 V_{DC})$ (Continued)

High Input Z, DC Differential Amplifier



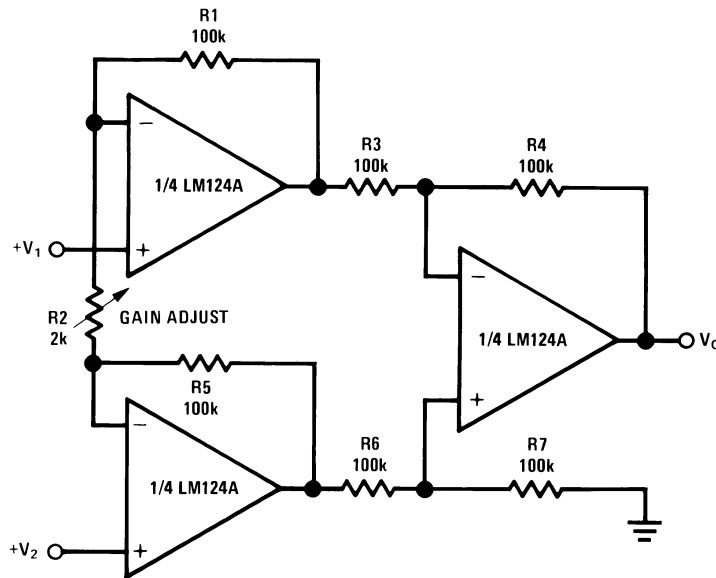
DS009299-27

For $\frac{R1}{R2} = \frac{R4}{R3}$ (CMRR depends on this resistor ratio match)

$$V_O = 1 + \frac{R4}{R3}(V_2 - V_1)$$

As shown: $V_O = 2(V_2 - V_1)$

High Input Z Adjustable-Gain DC Instrumentation Amplifier



DS009299-28

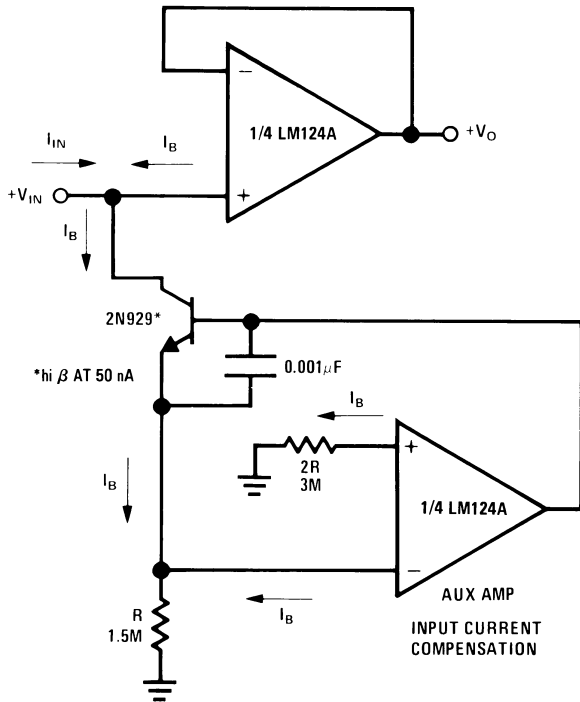
If $R1 = R5$ & $R3 = R4 = R6 = R7$ (CMRR depends on match)

$$V_O = 1 + \frac{2R1}{R2}(V_2 - V_1)$$

As shown $V_O = 101(V_2 - V_1)$

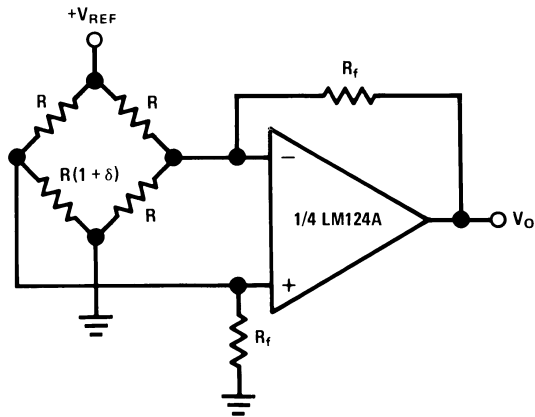
Typical Single-Supply Applications ($V^+ = 5.0 V_{DC}$) (Continued)

Using Symmetrical Amplifiers to Reduce Input Current (General Concept)



DS009299-29

Bridge Current Amplifier

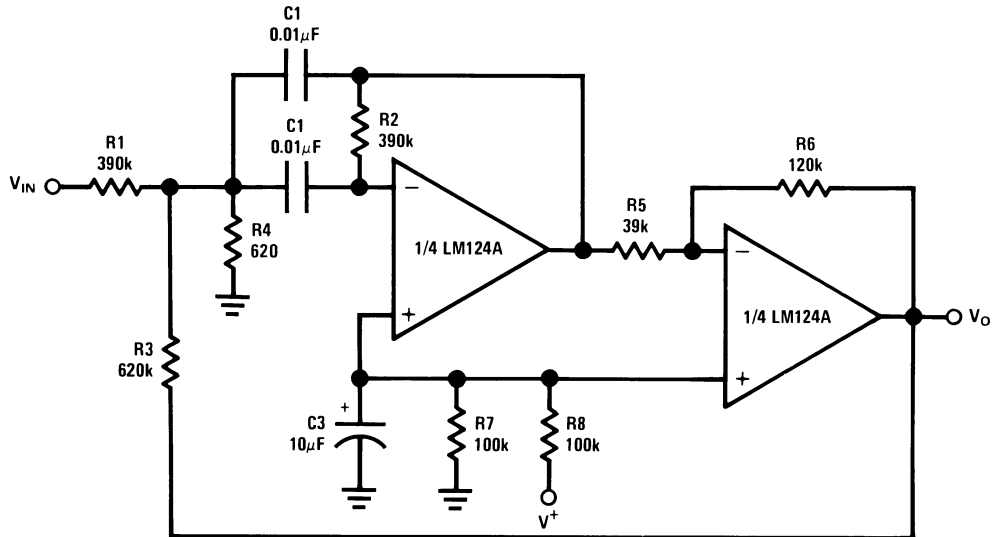


DS009299-30

For $\delta \ll 1$ and $R_f \gg R$

$$V_O \approx V_{REF} \left(\frac{\delta}{2} \right) \frac{R_f}{R}$$

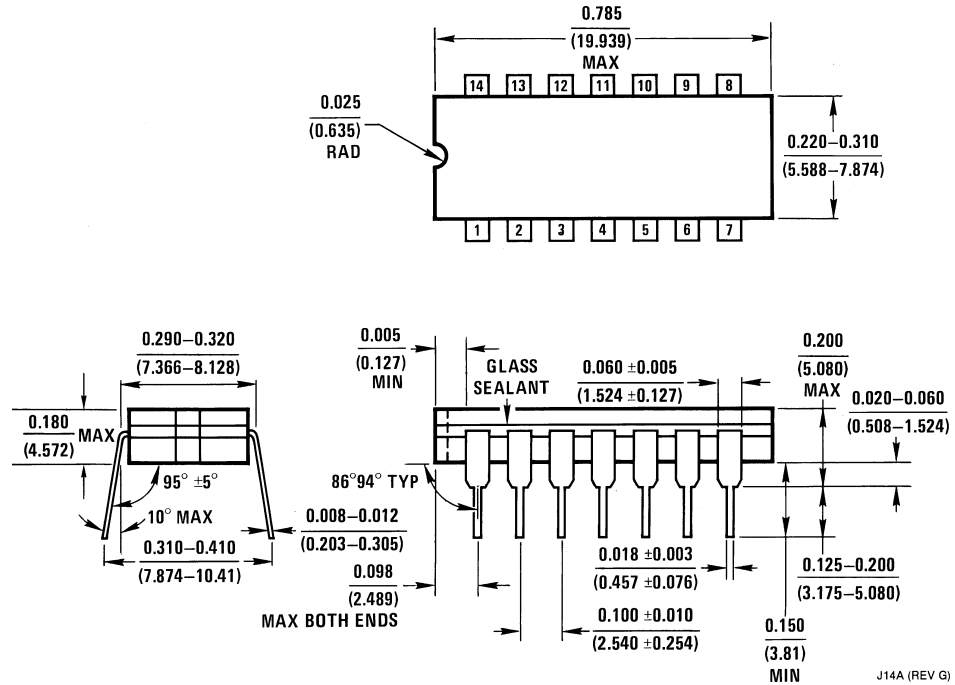
Bandpass Active Filter



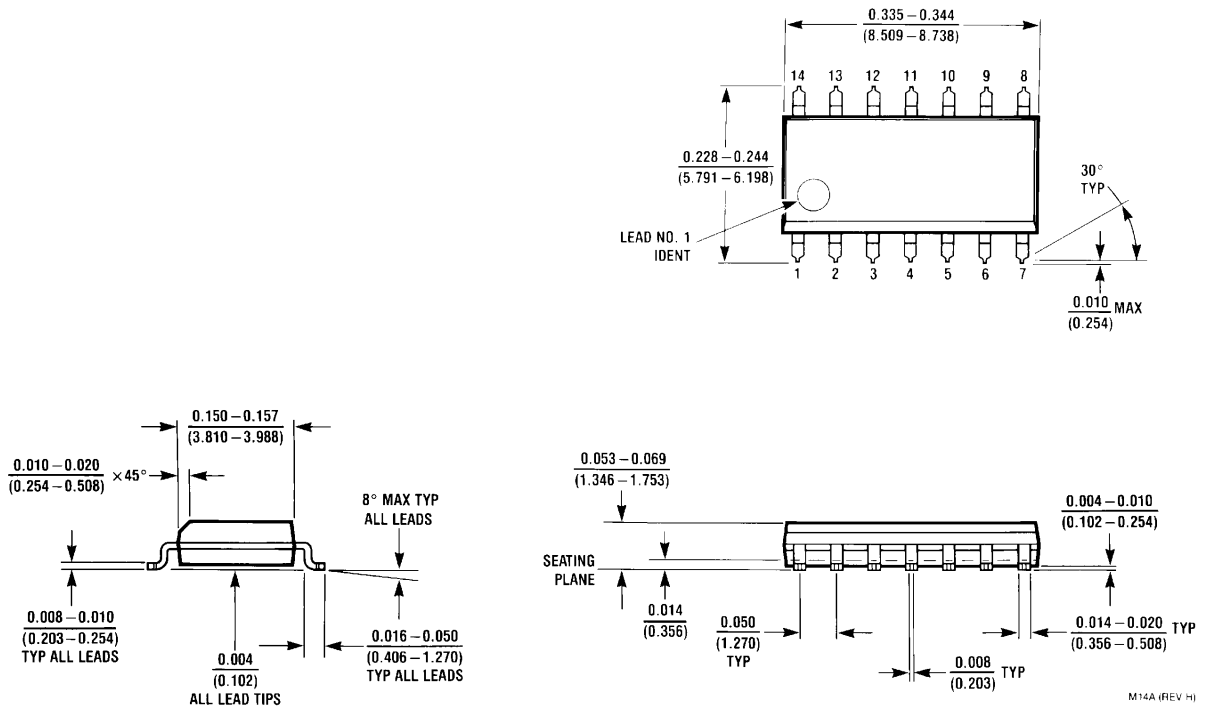
DS009299-31

$f_o = 1 \text{ kHz}$
 $Q = 25$

Physical Dimensions inches (millimeters) unless otherwise noted

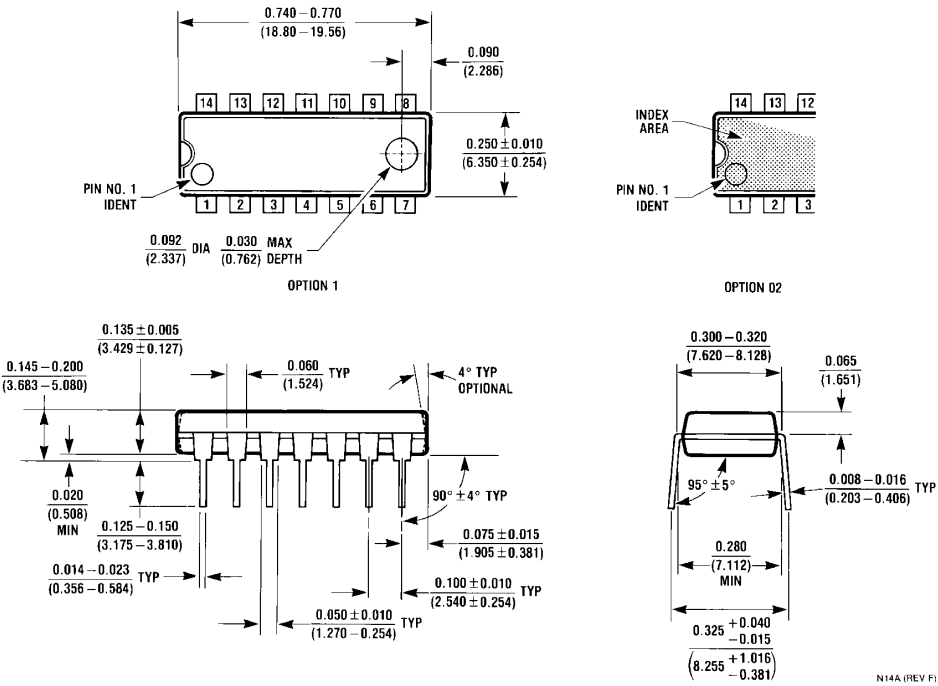


Ceramic Dual-In-Line Package (J)
Order Number JL124ABCA, JL124BCA, JL124ASCA, JL124SCA, LM124J,
LM124AJ, LM124AJ/883, LM124J/883, LM224J, LM224AJ or LM324J
NS Package Number J14A

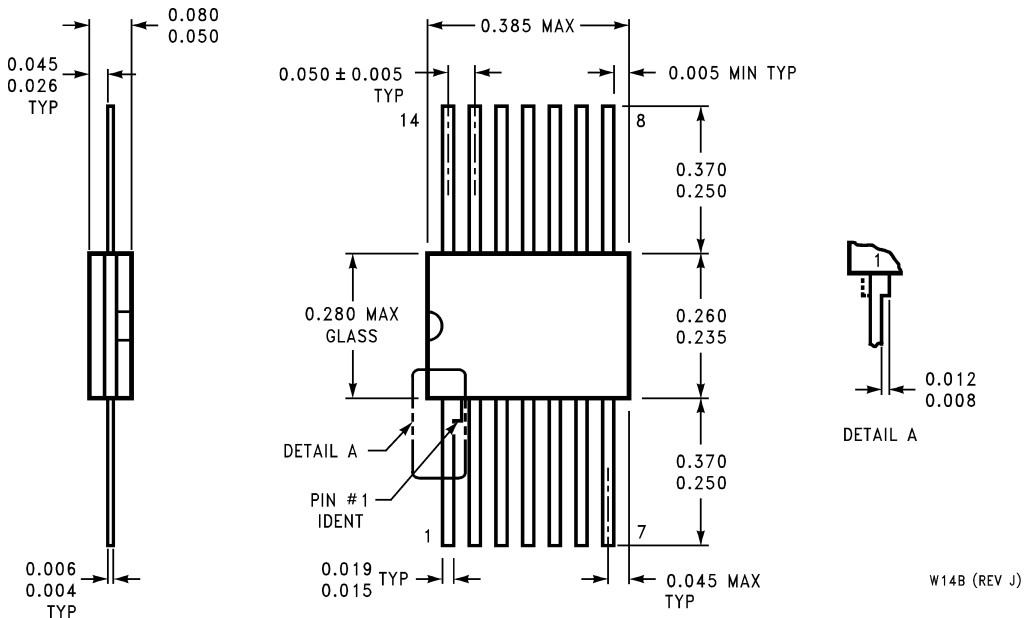


MX S.O. Package (M)
Order Number LM324M, LM324MX, LM324AM, LM324AMX, LM2902M or LM2902MX
NS Package Number M14A

Physical Dimensions inches (millimeters) unless otherwise noted (Continued)

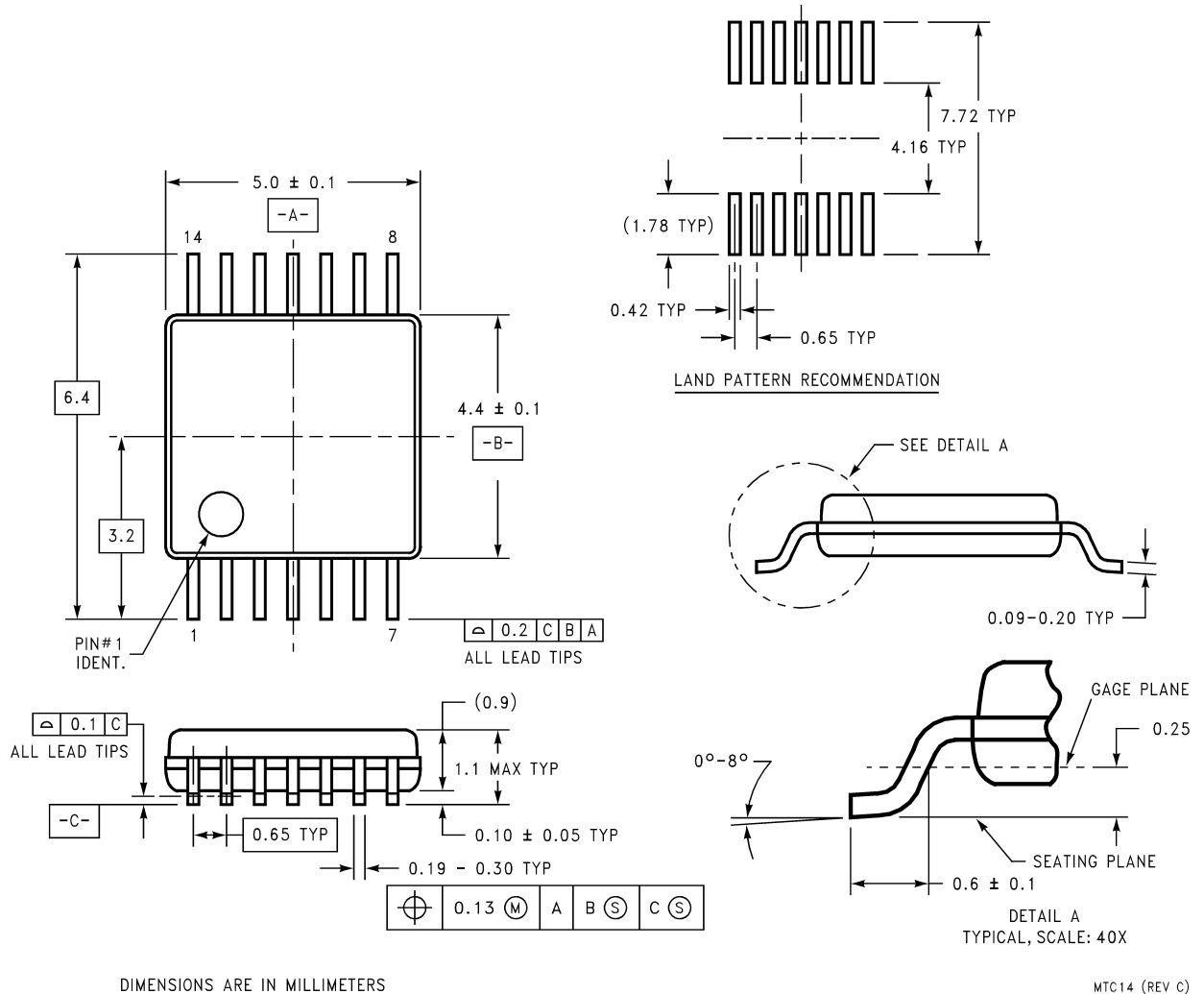


Molded Dual-In-Line Package (N)
Order Number LM324N, LM324AN or LM2902N
NS Package Number N14A



Ceramic Flatpak Package
Order Number JL124ABDA, JL124ABZA, JL124ASDA, JL124BDA, JL124BZA,
JL124SDA, LM124AW/883, LM124AWG/883, LM124W/883 or LM124WG/883
NS Package Number W14B

Physical Dimensions inches (millimeters) unless otherwise noted (Continued)



14-Pin TSSOP
Order Number LM324MT or LM324MTX
NS Package Number MTC14

LIFE SUPPORT POLICY

NATIONAL'S PRODUCTS ARE NOT AUTHORIZED FOR USE AS CRITICAL COMPONENTS IN LIFE SUPPORT DEVICES OR SYSTEMS WITHOUT THE EXPRESS WRITTEN APPROVAL OF THE PRESIDENT AND GENERAL COUNSEL OF NATIONAL SEMICONDUCTOR CORPORATION. As used herein:

1. Life support devices or systems are devices or systems which, (a) are intended for surgical implant into the body, or (b) support or sustain life, and whose failure to perform when properly used in accordance with instructions for use provided in the labeling, can be reasonably expected to result in a significant injury to the user.
2. A critical component is any component of a life support device or system whose failure to perform can be reasonably expected to cause the failure of the life support device or system, or to affect its safety or effectiveness.

National Semiconductor Corporation
Americas
Tel: 1-800-272-9959
Fax: 1-800-737-7018
Email: support@nsc.com
www.national.com

National Semiconductor Europe
Fax: +49 (0) 180-530 85 86
Email: europe.support@nsc.com
Deutsch Tel: +49 (0) 69 9508 6208
English Tel: +44 (0) 870 24 0 2171
Français Tel: +33 (0) 1 41 91 8790

National Semiconductor Asia Pacific Customer Response Group
Tel: 65-2544466
Fax: 65-2504466
Email: ap.support@nsc.com

National Semiconductor Japan Ltd.
Tel: 81-3-5639-7560
Fax: 81-3-5639-7507

HTP-320

EXPLODED VIEWS PARTS LIST

NOTE : THE COMPONENTS IDENTIFIED BY THE MARK
! ARE CRITICAL FOR RISK OF FIRE AND
ELECTRIC SHOCK. REPLACE ONLY WITH PART
NUMBER SPECIFIED.

REF. NO.	PART NAME	DESCRIPTION	Q'TY	PART NO. (SN)	MARK	
EXPLODED:	SKW-320X : POWERED SUBWOOFER					
EXPLODED:	SP01	CABINET ASS'Y	SKW-320X	1	ANK8S404S-BM10	
EXPLODED:	SP02	PLASTIC FOOT	D87.5 x D37.5 x H50 HIPS	4	BPE8000040001	
EXPLODED:	SP03	STAND BOARD	---	1	ANF860005-BM10	
EXPLODED:	SP04	LOGO PLATE	SKW-320X / ONKYO NAME PLATE	1	BPL800155-0001	
EXPLODED:	SP05	WOOD SCREW	D8 x D4 x L75 PAN HEAD (FOR FOOT)	8	NST8550514750	
EXPLODED:	SP06	WOOD SCREW	4STT+20A (FOR AMPLIFIER / SP)	18	NST8550518201 or	
EXPLODED:		WOOD SCREW	4STT+20A (FOR AMPLIFIER / SP)	(18)	837440204	
EXPLODED:	SP08	WOOFER SPEAKER	20cm 4ohm 50W	1	FSB82A080-0404 or	
EXPLODED:		WOOFER SPEAKER	20cm 4ohm 50W	(1)	W20178A	
EXPLODED:	A01	REAR PANEL	"SKW-320X" SPCC 190 x 120 x T2.0mm	1	GSE400175-0007	
EXPLODED:	A02	AC CORD	LINE CORD 2P 1800mm BLK POLARIZE	1	VPA0040120010	!
EXPLODED:	A03	BUSHING	AC LINE BUSHING	1	DBU001002-0011	!
EXPLODED:	A04	POWER TRANSFORMER	DC30V, DC2.3A, 120V / 60Hz 100W	1	TTI120010120	!
EXPLODED:	A05	SCREW	M4.0 x P0.7 x L25mm (FOR TRANS)	4	HSD1431033250	
EXPLODED:	F902	FUSE	4A / 250V SLOW WALT	1	KSA0204000011	!
EXPLODED:	F903	FUSE	4A / 250V SLOW WALT	1	KSA0204000011	!
EXPLODED:	U01	MAIN PC BOARD ASS'Y	MAIN PC BOARD ASS'Y	1	APE4012115001	
EXPLODED:	<Note>					
EXPLODED:	U01 : MAIN PC BOARD ASS'Y = PCB BRACKET + HEAT SINK + ALL PARTS FOR MAIN PC BOARD					
EXPLODED:	U02	INPUT PC BOARD ASS'Y	INPUT PC BOARD ASS'Y	1	APE4012125001	
EXPLODED:	<Note>					
EXPLODED:	U02 : INPUT PC BOARD ASS'Y = INPUT PC BOARD with RCA JACK + CORD ASS'Y					
EXPLODED:	U03	VR / LED PC BOARD ASS'Y	VR / LED PC BOARD ASS'Y	1	APE4012135001	
EXPLODED:	<Note>					
EXPLODED:	U03 : VR / LED PC BOARD ASS'Y = VR / LED PC BOARD with VR / LED / CORD ASS'Y etc.					
EXPLODED:	SKF-320F : FRONT SPEAKERS (L / R)					
EXPLODED:	SP10	COMPLETE UNIT	"SKF-320F (L)"	1	ASL8M404S-BM10	
EXPLODED:	SP11	BACK LABEL (L)	without serial numbering	1	YLB810009-FL10	
EXPLODED:	SP12	COMPLETE UNIT	"SKF-320F (R)"	1	ASL8M404S-BM11	
EXPLODED:	SP13	BACK LABEL (R)	without serial numbering	1	YLB810009-FR10	
EXPLODED:	SKC-320C : CENTER SPEAKER					
EXPLODED:	SP14	COMPLETE UNIT	"SKC-320C"	1	ASL8C404S-BM10	
EXPLODED:	SP15	BACK LABEL	without serial numbering	1	YLB810009-C010	
EXPLODED:	SKM-320S : SURROUND SPEAKERS (L / R)					
EXPLODED:	SP16	COMPLETE UNIT	"SKM-320S (L)"	1	ASL8S404S-BM10	
EXPLODED:	SP17	BACK LABEL (L)	without serial numbering	1	YLB810009-SL10	
EXPLODED:	SP18	COMPLETE UNIT	"SKM-320S (R)"	1	ASL8S404S-BM11	
EXPLODED:	SP19	BACK LABEL (R)	without serial numbering	1	YLB810009-SR10	

HTP-320**PRINTED CIRCUIT BOARD PARTS LIST**

	CIRCUIT NO.	PART NAME	DESCRIPTION	Q'TY	PART NO. (SN)	MARK
PWB	IC501	POWER IC	IC 15 PIN TDA7293	1	RHI007293-0001	
PWB	DB901	DIODE	RS402L 4A 100V	1	RHD2040100011	!

ONKYO CORPORATION

Sales & Product Planning Div. : 2-1, Nisshin-cho, Neyagawa-shi, OSAKA 572-8540, JAPAN
Tel: 072-831-8023 Fax: 072-831-8124

ONKYO U.S.A. CORPORATION

18 Park Way, Upper Saddle River, N.J. 07458, U.S.A.
Tel: 201-785-2600 Fax: 201-785-2650 <http://www.onkyousa.com>

ONKYO EUROPE ELECTRONICS GmbH

Liegnitzerstrasse 6, 82194 Groebenzell, GERMANY
Tel: +49-8142-4401-0 Fax: +49-8142-4401-555 <http://www.onkyo.net>

ONKYO CHINA LIMITED

Units 2102-2107, Metroplaza Tower I, 223 Hing Fong Road, Kwai Chung,
N.T., HONG KONG Tel: 852-2429-3118 Fax: 852-2428-9039